

A TOUCH OF SATISFACTION,
INSPIRED BY TECHNOLOGY

FOX DOMOTICS 

HOTEL DOOR LOCKS &
GUEST ROOM MANAGEMENT SYSTEM

FOX DOMOTICS 

Design a Simple,
Streamlined Solutions for
World-Class Hotels

Fox Domotics Private Limited - an Indian company founded in 2012 in Mumbai, is Fully Self Funded and Privately Held - produces, markets and distributes high end Smart Home and Smart Hotel Devices with its brand 'Fox Domotics' for small, medium and large projects. We have end to end solutions that can blend with high level functionality. An intensive campaign to grow the business on a global scale transformed the small startup enterprise into a major player on the international stage.

One of the secrets of the Fox Domotics success is our quality and the design that has always marked our products. We have end to end solutions that can blend with high level functionality to enhance user experience. Beyond appearance, our solutions are easy to use, can be controlled from a multiple devices—Touch, IR remote, smart phone and Voice command. So rather than focussing solely on pushing the technology envelope, we checked consumer needs and developed products to address them rather than assuming a market exists for the next breakthrough. We specialize in smart solutions that facilitate process improvement, implementing fresh solutions, and streamlining day to day operations. We market and sell our products and solutions through trained system integrator worldwide primarily in the Middle East, Indian Sub-continent and ASIAN regions.

INTELLIGENT HOTEL LOCK

EN12209 EN14846 EN1634-1 UL10C CE

Opera PMS



MODERN HOTEL LOCK



CLASSIC HOTEL LOCK



SPLIT HOTEL LOCK

PATENT DESIGN SPLIT LOCK



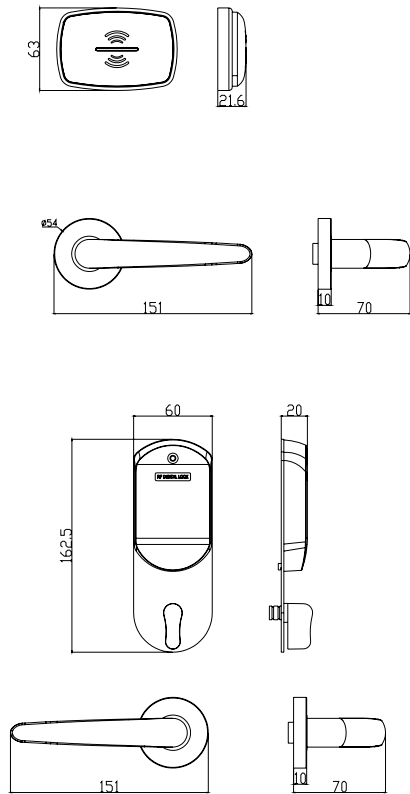
S100

TECHNOLOGY CHANGES THE LIFE



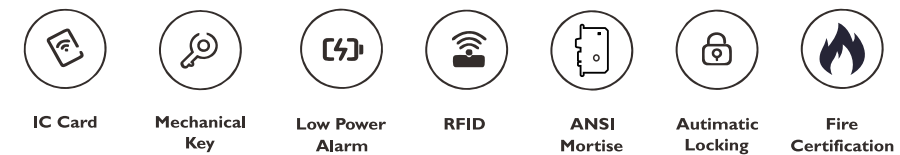
S100-CR Satin Finish

S100-BN Black Nickel



Product Specification

Model	S100
Color	Golden/Black/Silver
System	Offline/ TTHOTEL/HTLOCK
Material	Stainless steel 304
Lock Cylinder	Level-C optional
Technology	RFID/ BLE
Power	4xAA alkaline battery(DC6v)
Door Type	Wood door
Door Thickness	40-60mm
Opening Direction	Left/Right open
Size	151*70mm 63*21.6mm
Mortise	ANSI Mortise
Unlock Way	IC Card, Wristband or Key



PATENT DESIGN SPLIT LOCK

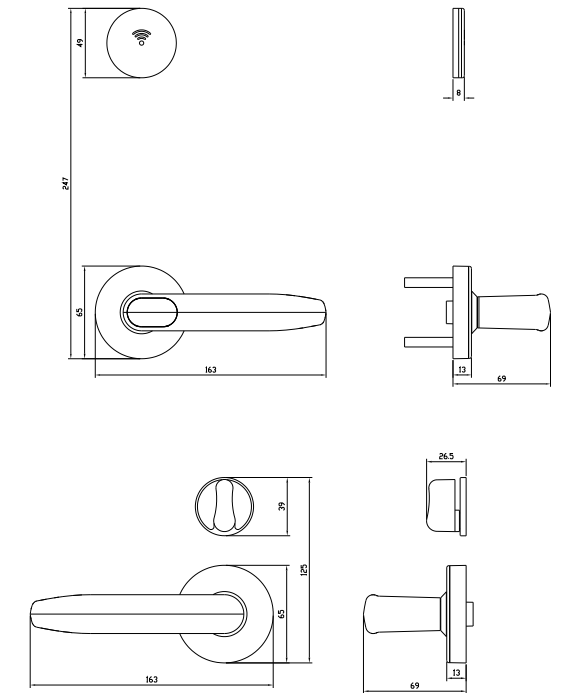
S190

TECHNOLOGY CHANGES THE LIFE



S190-BN

S190-PW



Product Specification

Model	S190
Color	Black/Silver
System	Offline/ TTHOTEL/HTLOCK
Material	Zinc alloy handle, CNC aluminum reader
Lock cylinder	Level-C optional
Technology	RFID/ BLE
Power	4xAA alkaline battery(DC6v)
Door Type	Wood door
Door thickness	38-65mm
Opening direction	Left/Right open
Size	65*163*69mm
Mortise	ANSI Mortise
Unlock way	IC Card, Wristband or Key



OFFLINE



HTLOCK



TTHOTEL



IC Card



Mechanical Key



Low Power Alarm



RFID

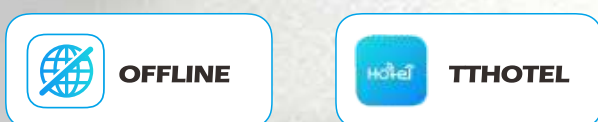


ANSI Mortise



Automatic Locking

PATENT DESIGN SPLIT LOCK

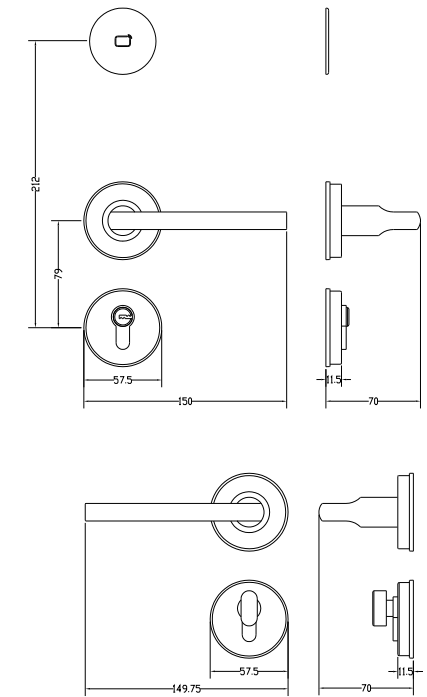


S116

TECHNOLOGY CHANGES THE LIFE



S116-SS



Product Specification

Model	S116
Color	Silver
System	Offline/ TTHOTEL
Material	Stainless steel 304
Lock cylinder	Level-C optional
Technology	RFID/ BLE
Power	4xAAA alkaline battery(DC6v)
Door Type	Wood door
Door thickness	35-65mm
Opening direction	Left/Right open
Size	70*150*57.5mm
Mortise	Works with motorized 55/72 mortise
Unlock way	IC Card, Wristband or Key



PATENT DESIGN SPLIT LOCK



OFFLINE



HTLOCK



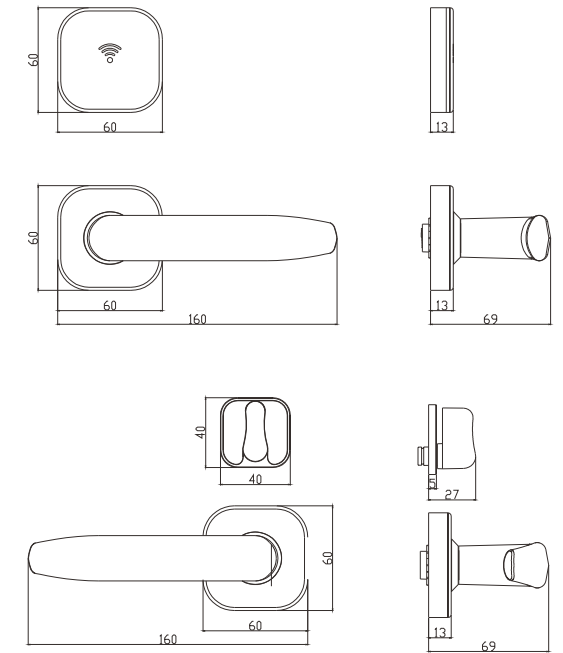
TTHOTEL

S170

TECHNOLOGY CHANGES THE LIFE



S170-BN



Product Specification

Model	S170
Color	Black
System	Offline/ TTHOTEL/HTLOCK
Material	Zinc alloy handle, CNC aluminum reader
Lock cylinder	Level-C optional
Technology	RFID/ BLE
Power	4xAA alkaline battery(DC6v)
Door Type	Wood door
Door thickness	38-65mm
Opening direction	Left/Right open
Size	60*160*69mm
Mortise	ANSI Mortise
Unlock way	IC Card, Wristband or Key



IC Card



Mechanical Key



Low Power Alarm



RFID



ANSI Mortise



Automatic Locking

PATENT DESIGN SPLIT LOCK



OFFLINE



TTHOTEL

S180

TECHNOLOGY CHANGES THE LIFE



S180-SS



S180-BN

Product Specification

Model	S180
Color	Black/Silver
System	Offline/ TTHOTEL/HTLOCK
Material	Stainless steel 304
Lock cylinder	Level-C optional
Technology	RFID/ BLE
Power	4xAA alkaline battery(DC6v)
Door Type	Wood door
Door thickness	40-65mm
Opening direction	Left/Right open
Size	60*160*69mm
Mortise	ANSI Mortise
Unlock way	IC Card, Wristband or Key



IC Card



Mechanical Key



Low Power Alarm



RFID



ANSI Mortise



Automatic Locking

CLASSICAL HOTEL LOCK

C300

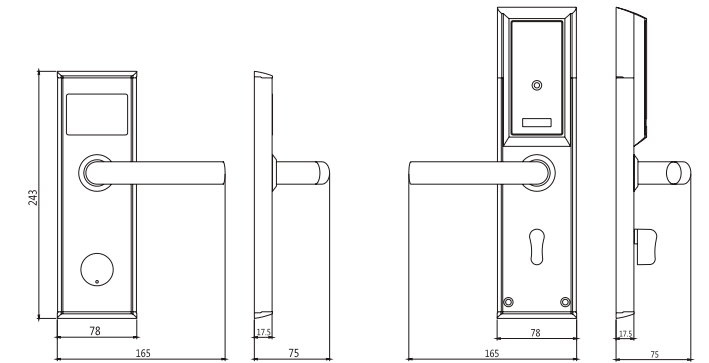
TECHNOLOGY CHANGES THE LIFE



C300-GG PVD Golden



C300-SS Satin Finish



Product Specification

Model	C300
Color	Silver/Golden/Black
System	Offline/ TTHOTEL/HTLOCK
Material	Stainless steel 304
Lock cylinder	Level-C optional
Technology	RFID/ BLE
Power	4xAA alkaline battery(DC6v)
Door Type	Wood door
Door thickness	30-65mm
Opening direction	Left/Right open
Size	Front:78*243*17.5mm Back:78*306*17.5mm
Mortise	ANSI Mortise
Unlock way	IC Card, Wristband or Key



IC Card



Mechanical Key



Low Power Alarm



RFID



ANSI Mortise



Automatic Locking



Fire Certification

CLASSICAL HOTEL LOCK

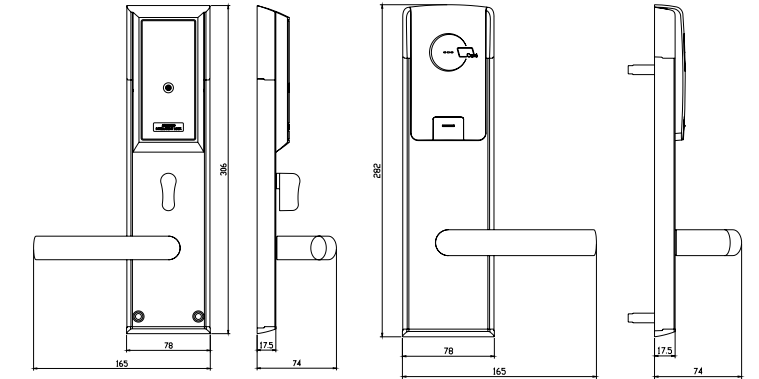
E301

TECHNOLOGY CHANGES THE LIFE



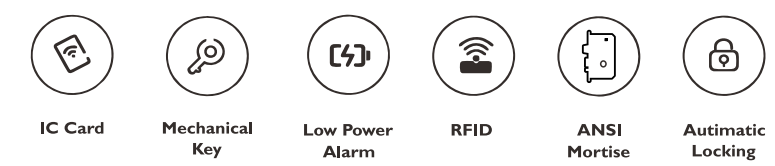
E301-BN

E301-SS



Product Specification

Model	E301
Color	Silver/Black
System	Offline/ TTHOTEL/HTLOCK
Material	Stainless steel 304
Lock cylinder	Level-C optional
Technology	RFID/ BLE
Power	4xAA alkaline battery(DC6v)
Door Type	Wood door
Door thickness	30-65mm
Opening direction	Left/Right open
Size	Front:78*243*17.5mm Back:78*306*17.5mm
Mortise	ANSI Mortise
Unlock way	IC Card, Key



CLASSICAL HOTEL LOCK



E300

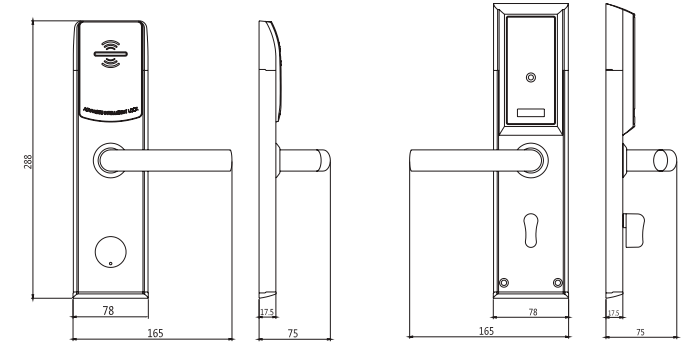
TECHNOLOGY CHANGES THE LIFE



E300-GG

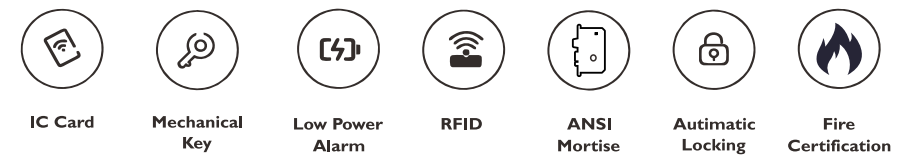
E300-BN

E300-SS



Product Specification

Model	E300
Color	Silver/Black/Golden
System	Offline/ TTHOTEL/HTLOCK
Material	Stainless steel 304
Lock cylinder	Level-C optional
Technology	RFID/ BLE
Power	4xAA alkaline battery(DC6v)
Door Type	Wood door
Door thickness	30-65mm
Opening direction	Left/Right open
Size	Front:78*288*17.5mm Back:78*306*17.5mm
Mortise	ANSI Mortise
Unlock way	IC Card, Key



SLIM ELECTRONIC LOCK

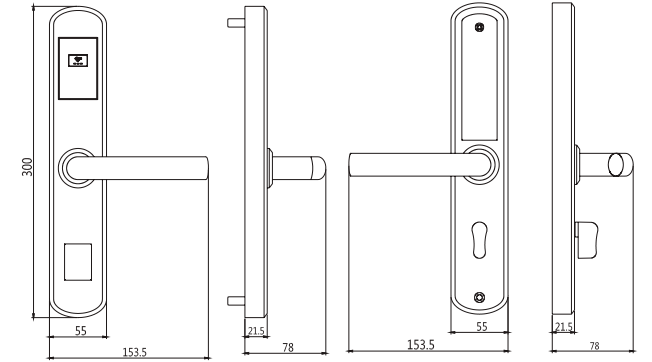


E200

TECHNOLOGY CHANGES THE LIFE



E200-BN Black Finish E200-GG PVD Golden E200-SS Satin Finish



Product Specification

Model	E200
Color	Black /Silver/Golden
System	Offline/ TTHOTEL/HTLOCK
Material	Stainless steel 304
Lock cylinder	Level-C optional
Technology	RFID/ BLE
Power	4xAA alkaline battery(DC6v)
Door Type	Wood door
Door thickness	30-65mm
Opening direction	Left/Right open
Size	55*300*21.5mm
Mortise	ANSI Mortise
Unlock way	IC Card, Key



IC Card



Mechanical Key



Low Power Alarm



RFID



ANSI Mortise



Automatic Locking



Fire Certification

LUXUARY HOTEL LOCK

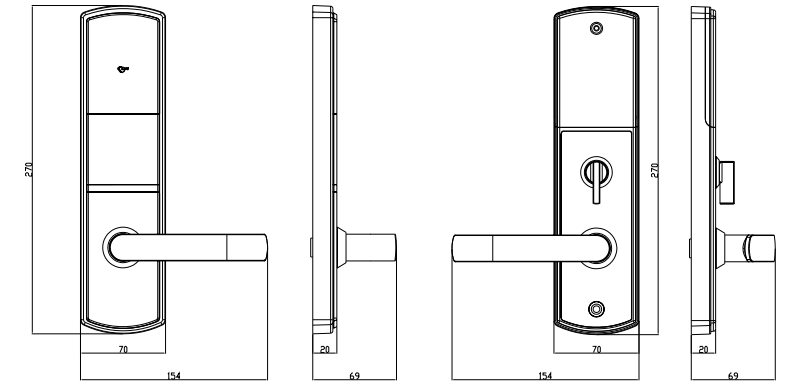


S500

TECHNOLOGY CHANGES THE LIFE

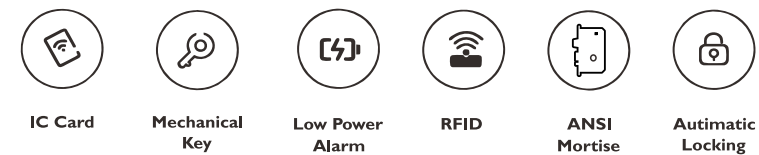


S500-GG PVD Golden S500-CR Bright Chrome



Product Specification

Model	S500
Color	Golden/Silver
System	Offline/ TTHOTEL/HTLOCK
Material	Zinc alloy
Lock cylinder	Level-C optional
Technology	RFID/ BLE
Power	4xAA alkaline battery(DC6v)
Door Type	Wood door
Door thickness	30-65mm
Opening direction	Left/Right open
Size	70*270*20mm
Mortise	ANSI Mortise
Unlock way	IC Card, Key



EUROPE HOTEL LOCK



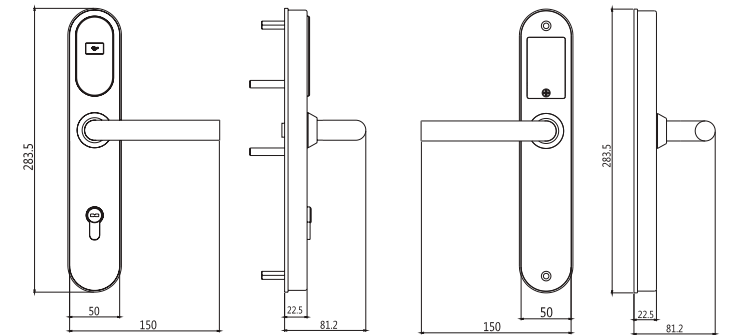
JK700

TECHNOLOGY CHANGES THE LIFE



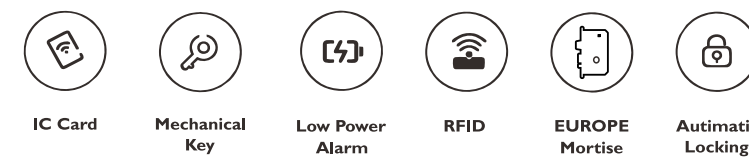
JK700-SS

JK700-BN



Product Specification

Model	JK700
Color	Silver /Black
System	Offline/ TTHOTEL/HTLOCK
Material	304#stainless steel
Lock cylinder	Level-C optional
Technology	RFID/ BLE
Power	4xAAA alkaline battery(DC6v)
Door Type	Wood door/Aluminum door
Door thickness	40-65mm
Opening direction	Left/Right open
Size	50*283.5*22.5mm
Mortise	Workable for european mortises
Unlock way	IC Card, Key



RFID HOTEL LOCK



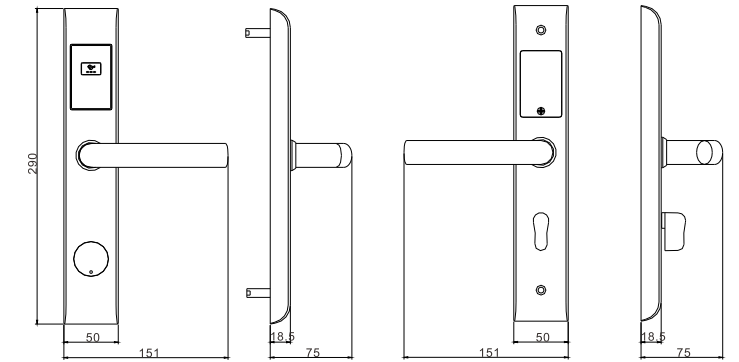
M800

TECHNOLOGY CHANGES THE LIFE



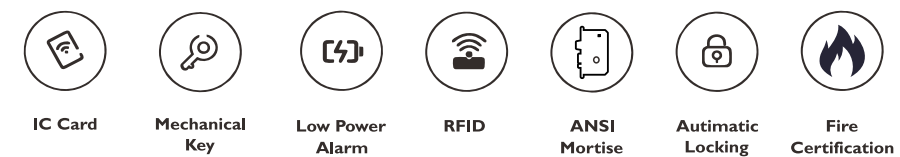
M800-BN(Black Nickel)

M800-SS(Stainless steel)



Product Specification

Model	M800
Color	Black Silver
System	Offline/ TTHOTEL/HTLOCK
Material	304#stainless steel
Lock cylinder	Level-C optional
Technology	RFID/ BLE
Power	4xAAA alkaline battery(DC6v)
Door Type	Wood door
Door thickness	30-65mm
Opening direction	Left/Right open
Size	50*290*18.5mm
Mortise	ANSI Mortise
Unlock way	IC Card, Key



BLUETOOTH HOTEL LOCK



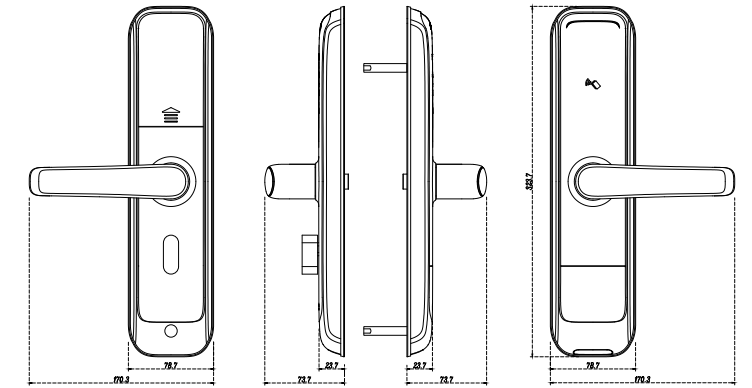
A240R

TECHNOLOGY CHANGES THE LIFE



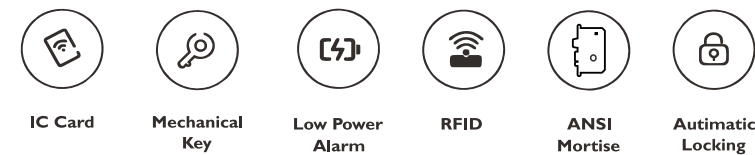
A240R-BN

A240R-GN



Product Specification

Model	A240R
Color	Black/Grey
System	Offline/ TTHOTEL/HTLOCK
Material	Aluminum alloy
Lock cylinder	Level-C optional
Technology	RFID/ BLE
Power	AA battery*4 pcs
Door Type	Wooden or Metal door
Door thickness	38-55mm
Opening direction	Left/Right open
Size	78.7*323.7*23.7mm
Mortise	ANSI Mortise
Unlock way	IC Card, Key



ALUMINUM HOTEL LOCK

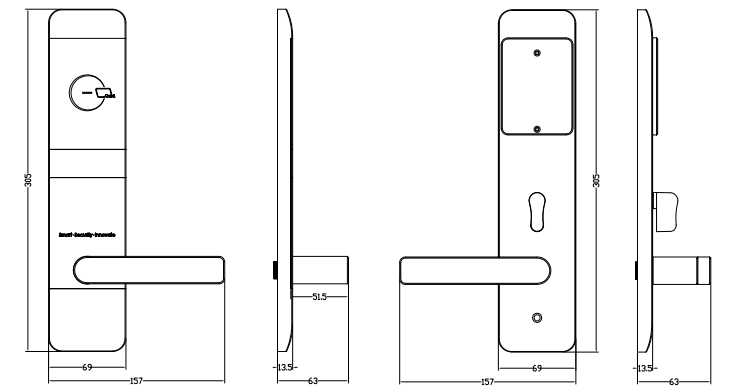


E900

TECHNOLOGY CHANGES THE LIFE



E900-BN(Black Nickel)



Product Specification

Model	E900
Color	Black
System	Offline/ TTHOTEL/HTLOCK
Material	Aluminum Alloy+PC +Acrylic
Lock cylinder	Level-C optional
Technology	RFID/ BLE
Power	4xAA alkaline battery(DC6v)
Door Type	Wood door
Door thickness	35-65mm
Opening direction	Left/Right open
Size	50*290*18.5mm
Mortise	ANSI Mortise
Unlock way	IC Card, Key



IC Card



Mechanical Key



Low Power Alarm



RFID



ANSI Mortise



Automatic Locking

BLUETOOTH HOTEL LOCK

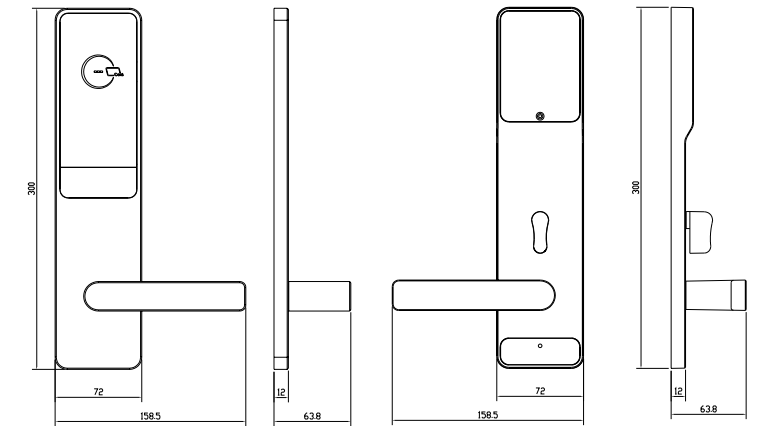
E901CR

TECHNOLOGY CHANGES THE LIFE



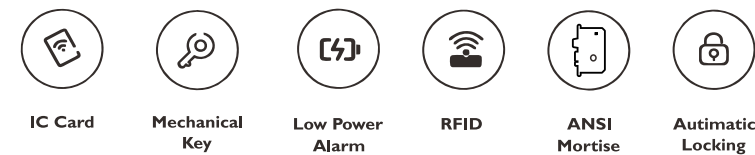
E901CR-BN

E901CR-SS



Product Specification

Model	E901CR
Color	Black/Silver
System	Offline/ TTHOTEL/HTLOCK
Material	Aluminum Alloy+PC +Acrylic
Lock cylinder	Level-C optional
Technology	RFID/ BLE
Power	4xAA alkaline battery(DC6v)
Door Type	Wood door
Door thickness	35-65mm
Opening direction	Left/Right open
Size	72*300*12mm
Mortise	ANSI Mortise
Unlock way	IC Card, Key



RFID HOTEL LOCK



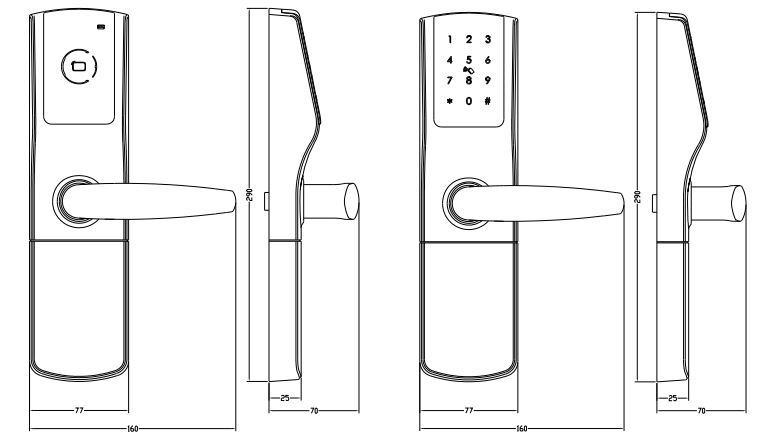
E912

TECHNOLOGY CHANGES THE LIFE



E912P-SS

E912R-SS



E912R

E912P

Product Specification

Model	E912
Color	Silver/Black
System	Offline/ TTHOTEL/HTLOCK
Material	Aluminum alloy
Lock cylinder	Level-C optional
Technology	RFID/ BLE
Power	4xAA alkaline battery(DC6v)
Door Type	Wood door
Door thickness	40-65mm
Opening direction	Left/Right open
Size	77*290*25mm
Mortise	Mechanical ANSI mortise
Unlock way	IC Card, Key



IC Card



Mechanical Key



Low Power Alarm



RFID



ANSI Mortise



Automatic Locking



UL Certificate



Fire Certification

LEVER HANDLE HOTEL LOCK



OFFLINE

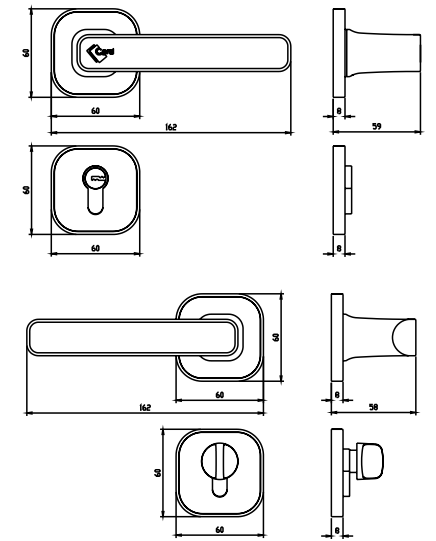


H160

TECHNOLOGY CHANGES THE LIFE



H160-BN



Product Specification

Model	H160
Color	Black
Material	Zinc alloy handle and rosette
Lock cylinder	Level-C optional
Power	4xAAA alkaline battery(DC6v)
Door Type	Wood door
Door thickness	35-65mm
Opening direction	Left/Right open
Size	60*162*25mm
Mortise	72/85 series mortises
Unlock way	IC Card, Key



IC Card



Mechanical Key



Low Power Alarm



RFID



EUROPE Mortise



Automatic Locking

LEVER HANDLE HOTEL LOCK



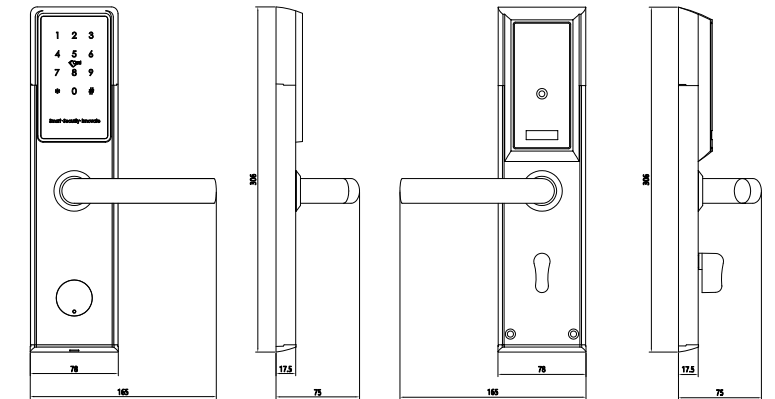
E300P

TECHNOLOGY CHANGES THE LIFE



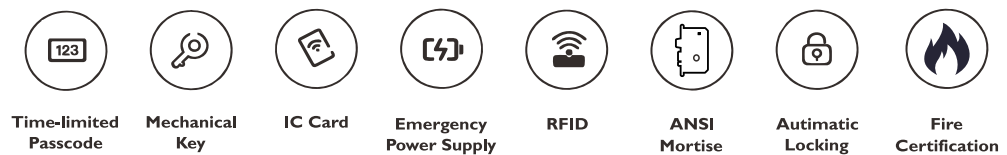
E300P-SS

E300P-BN



Product Specification

Model	E300P
Color	Silver /Black/Golden
System	TUYA/ TTHOTEL/HTLOCK
Material	304#stainless steel
Lock cylinder	Level-C optional
Technology	RFID/ BLE
Power	4xAA alkaline battery(DC6v)
Door Type	Wood door
Door thickness	30-65mm
Opening direction	Left/Right open
Size	78*306*17.5mm
Mortise	ANSI Mortise
Unlock way	App,Password, Card, Key

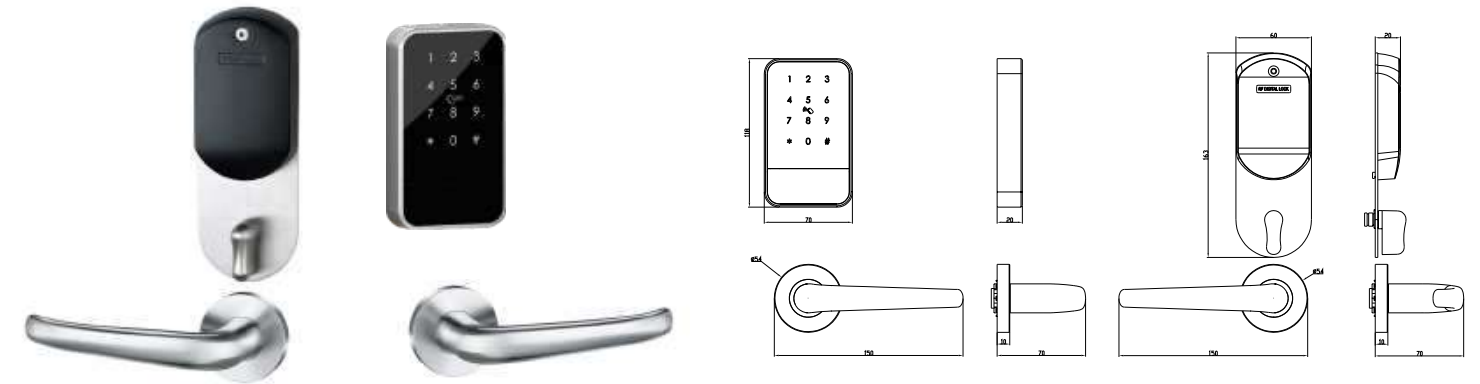


HOTEL SPLIT LOCK



S118

TECHNOLOGY CHANGES THE LIFE



S118 SS

Product Specification

Model	S118
Color	Silver /Black
System	TUYA/ TTHOTEL/HTLOCK
Material	304#stainless steel handle aluminum alloy reader.
Lock cylinder	Level-C optional
Technology	RFID/ BLE
Power	4xAA alkaline battery(DC6v)
Door Type	Wood door
Door thickness	40-65mm
Opening direction	Left/Right open
Size	70*118*20mm
Mortise	ANSI Mortise
Unlock way	App,Password, Card, Key



Time-limited
Passcode



Mechanical
Key



IC Card



Emergency
Power Supply



RFID



ANSI
Mortise



Automatic
Locking

SLIM DESIGN LOCK



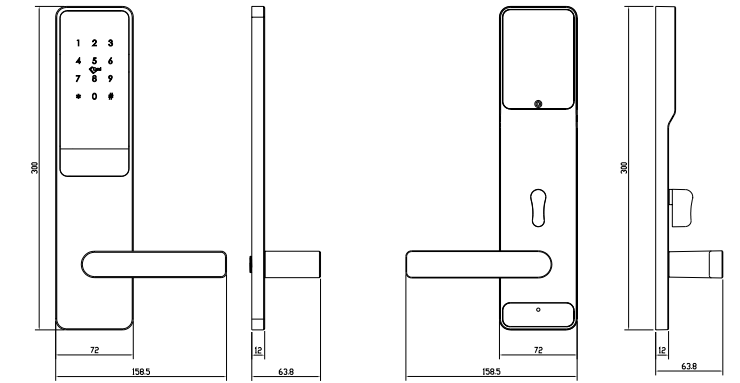
E901CP

TECHNOLOGY CHANGES THE LIFE



E901CP-BN

E901CP-SS



Product Specification

Model	E901CP
Color	Black/Silver
System	TUYA/ TTHOTEL/HTLOCK
Material	Aluminum Alloy+PC +Acrylic
Lock cylinder	Level-C optional
Technology	RFID/ BLE
Power	4xAA alkaline battery(DC6v)
Door Type	Wood door
Door thickness	35-65mm
Opening direction	Left/Right open
Size	72*300*12mm
Mortise	ANSI Mortise
Unlock way	App,Password, Card, Key



Time-limited
Passcode



Mechanical
Key



IC Card



Emergency
Power Supply



RFID



ANSI
Mortise



Automatic
Locking

STAINLESS STEEL DOOR LOCK

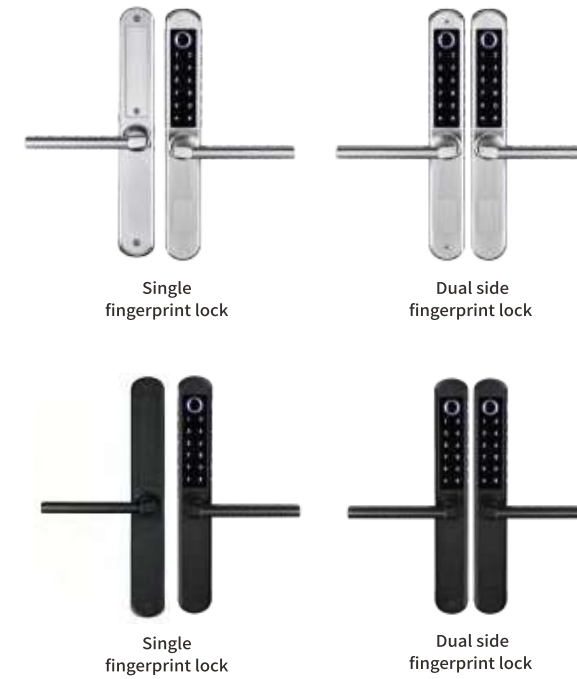


**IP64
waterproof**

**WATERPROOF
DESIGN**

A210

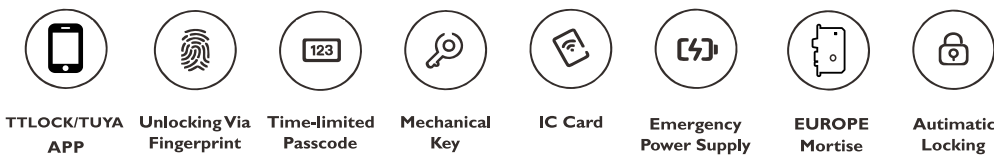
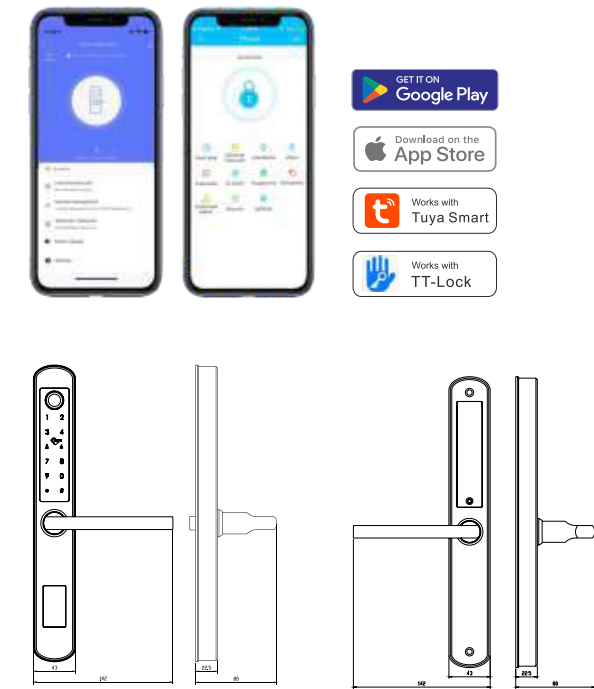
TECHNOLOGY CHANGES THE LIFE



Product Specification

Model	A210
Color	Silver /Black/Golden
Support APP	TUYA/TTLOCK
Material	304#stainless steel lock panel and handle
Lock cylinder	Level-C optional
Technology	Wifi/BLE
Power	4xAAA alkaline battery(DC6v)
Type	Aluminum door/Wood door
Door thickness	30-90mm
Opening direction	Left/Right open
Size	43*303*22.5mm
Mortise	85 series mortises
Unlock way	App, Password, Fingerprint, IC Card, Key

TTLOCK BLUETOOTH SOLUTION TUYA WIFI&BLE SOLUTION



DUAL SIDE FINGERPRINT LOCK

IP65
waterproof

Lithium battery

WATERPROOF DESIGN

A211

TECHNOLOGY CHANGES THE LIFE

TTLOCK BLUETOOTH SOLUTION



Dual side fingerprint lock



Dual side fingerprint lock



Single fingerprint lock



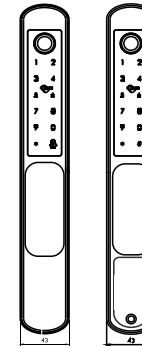
Single fingerprint lock



GET IT ON
Google Play

Download on the
App Store

Works with
TT-Lock



Product Specification

Model	A211
Color	Silver/Black
Support APP	TTLOCK
Material	Stainless steel 304
Lock cylinder	Level-C optional
Technology	BLE
Power	1100mAh Lithium battery
Type	Steel door, Aluminum door
Door thickness	30-90mm
Opening direction	Left/Right open
Size	43*303*22.5mm
Mortise	72/85 series mortises
Unlock way	App,Password, Fingerprint, IC Card,Key



TTLOCK APP



Unlocking Via Fingerprint



Time-limited Passcode



Mechanical Key



IC Card



Emergency Power Supply



EUROPE Mortise



Automatic Locking

SMART DOOR LOCK PHYSICAL BUTTON

IP65
waterproof



A212

TECHNOLOGY CHANGES THE LIFE



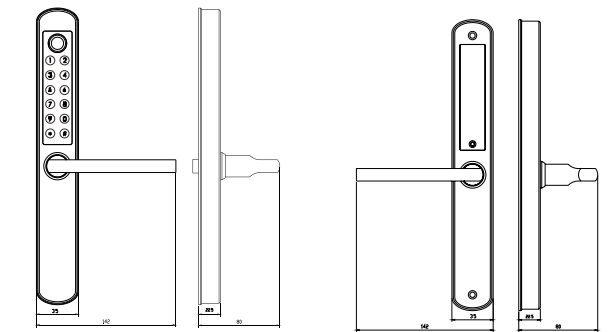
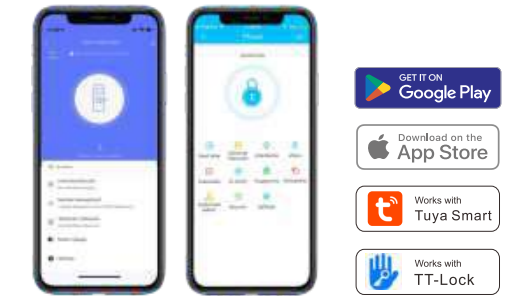
A212-SS

A212-BN

Product Specification

Model	A212
Color	Silver/Black
Support APP	TUYA/TTLOCK
Material	Stainless steel 304
Lock cylinder	Level-C optional
Technology	Wifi/BLE
Power	AAA 4pcs batteries
Type	Steel door, Aluminum door
Door thickness	30-90mm
Opening direction	Left/Right open
Size	35*303*22.5mm
Mortise	72/85 series mortises
Unlock way	App, Password, Fingerprint, IC Card, Key

TTLOCK BLUETOOTH SOLUTION TUYA WIFI&BLE SOLUTION



TTLOCK/TUYA APP



Unlocking Via Fingerprint



Time-limited Passcode



Mechanical Key



IC Card



Emergency Power Supply



EURO Mortise



Automatic Locking

SMART DOOR LOCK PHYSICAL BUTTON

IP65
waterproof



A213

TECHNOLOGY CHANGES THE LIFE



A213-SS

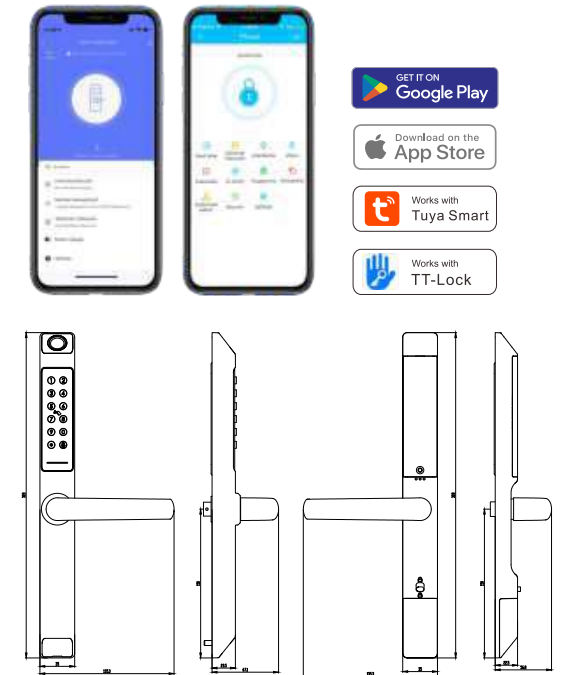
A213-GN

A213-BN

Product Specification

Model	A213
Color	Silver/Grey/Black
Support APP	TUYA/TTLOCK
Material	Aluminum alloy
Lock cylinder	Level-C optional
Technology	Wifi/BLE
Power	AAA 4pcs batteries
Type	Steel door, Aluminum door
Door thickness	30-90mm
Opening direction	Left/Right open
Size	35*328*22.5mm
Mortise	72/85 series mortises
Unlock way	App, Password, Fingerprint, IC Card, Key

TTLOCK BLUETOOTH SOLUTION TUYA WIFI&BLE SOLUTION



TTLOCK/TUYA APP



Unlocking Via Fingerprint



Time-limited Passcode



Mechanical Key



IC Card



Emergency Power Supply



EURO Mortise



Automatic Locking

LEVER FINGERPRINT SMART LOCK

IP65
waterproof



WATERPROOF
DESIGN

K711

TECHNOLOGY CHANGES THE LIFE



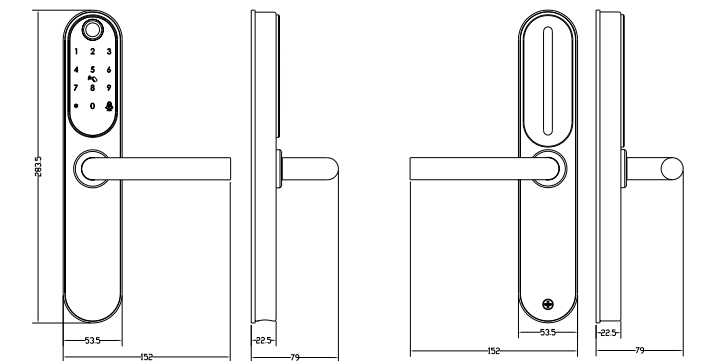
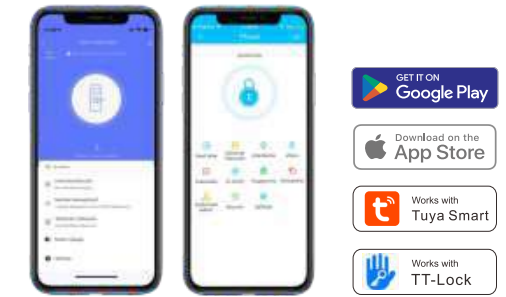
K711-SS

K711-BN

Product Specification

Model	K711
Color	Silver/Black
Support APP	TUYA/TTLOCK
Material	Stainless steel 304
Lock cylinder	Level-C optional
Technology	Wifi/BLE
Power	AAA 4pcs batteries
Door types	Steel door, Aluminum door
Door thickness	40-90mm
Opening direction	Left/Right open
Size	53.5*283.5*22.5mm
Mortise type	Euro mortise 85,72 series mortises
Unlock way	App, Password, Fingerprint, IC Card, Key

TTLOCK BLUETOOTH SOLUTION TUYA WIFI&BLE SOLUTION



TTLOCK/TUYA
APP



Unlocking Via
Fingerprint



Time-limited
Passcode



Mechanical
Key



IC Card



Emergency
Power Supply



EURO
Mortise



Automatic
Locking



Fire
Certification

FINGERPRINT LOCK AU STANDARD



IP65
waterproof

WATERPROOF
DESIGN

K720

TECHNOLOGY CHANGES THE LIFE



Product Specification

Model	K720
Color	Silver
Support APP	TUYA/TTLOCK
Material	Stainless steel 304
Lock cylinder	Level-C optional
Technology	Wifi/BLE
Power	AAA 4pcs batteries
Type	Steel door, Aluminum door
Door thickness	40-90mm
Opening direction	Left/Right open
Size	53.5*283.5*22.5mm
Mortise	AU mortise
Unlock way	App, Password, Fingerprint, IC Card, Key



TTLOCK/TUYA
APP



Unlocking Via
Fingerprint



Time-limited
Passcode



Mechanical
Key



IC Card



Emergency
Power Supply

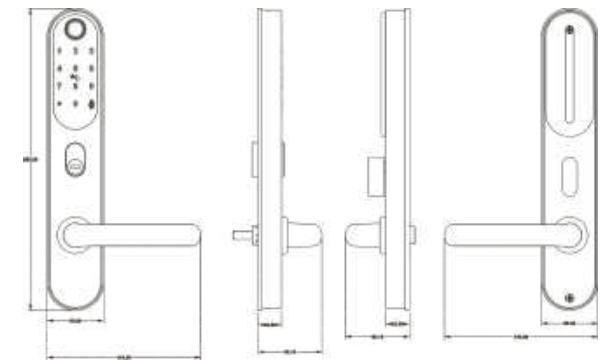
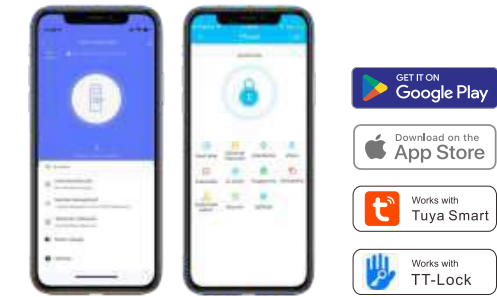


AU
Mortise



Automatic
Locking

TTLOCK BLUETOOTH SOLUTION TUYA WIFI&BLE SOLUTION



FINGERPRINT LOCK ANSI STANDARD

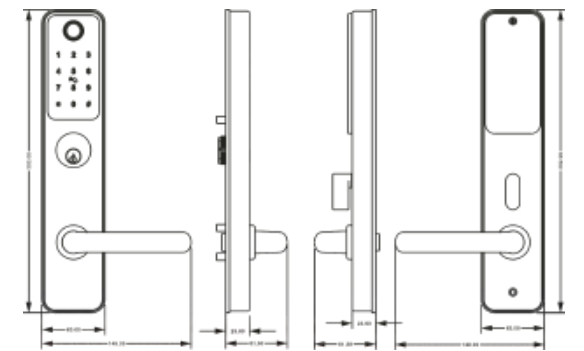
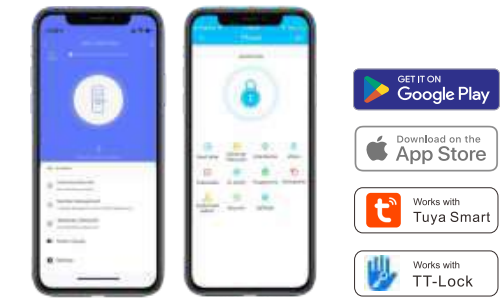


K730

TECHNOLOGYCHANGESTHELIFE

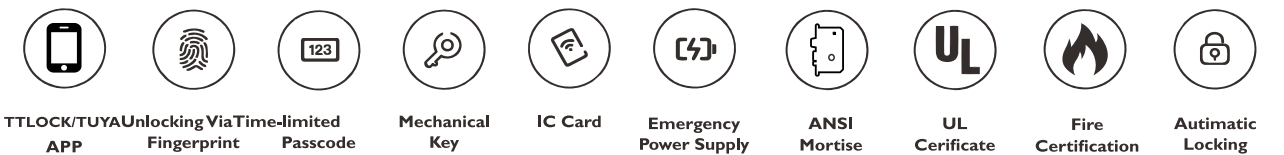


TTLOCK BLUETOOTH SOLUTION TUYA WIFI&BLE SOLUTION



Product Specification

Model	K730
Color	Silver
Support APP	TUYA/TTLOCK
Material	SUS 304
Lock cylinder	Level C
Technology	Wifi/BLE
Power	4x AA Alkaline batteries
Door types	Wooden and metal doors
Door thickness	40-90mm
Opening direction	Left/Right open
Size	53.5*283.5*22.5mm
Mortise type	ANSI mechanical mortise
Unlock way	App,Password, Fingerprint, IC Card,Key



SMART RIM LOCK



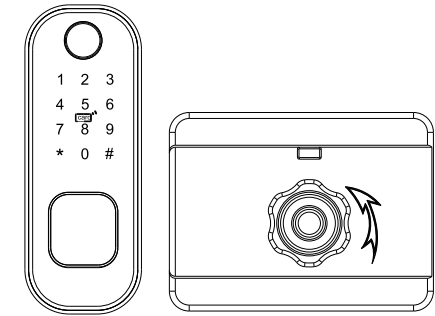
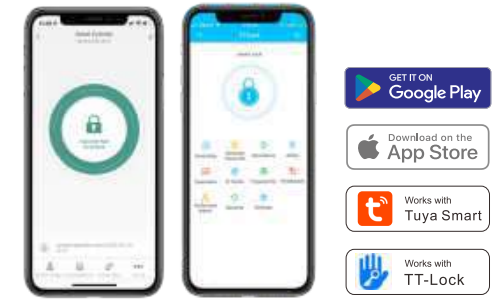
WATERPROOF DESIGN

R5

TECHNOLOGY CHANGES THE LIFE



TTLOCK BLUETOOTH SOLUTION TUYA WIFI&BLE SOLUTION



Product Specification

Model	R5
Color	Black
Support APP	TUYA/TTLOCK
Material	Aluminum alloy
Lock cylinder	Level-B cylinder (Level-C optional)
Technology	Wifi/BLE
Power	4 AA batteries
Type	Wood door, Steel door, Stainless Steel door....
Door thickness	38-90mm
Opening direction	Left/Right open
Size	Front:156*59*35mm Back:100*139*54mm
Unlock way	App,Password, Fingerprint, IC Card, Key



TTLOCK APP



Unlocking Via Fingerprint



Time-limited Passcode



Mechanical Key



IC Card



Emergency Power Supply



Rim Lock Body



Automatic Locking

SMART RIM LOCK



R6

TECHNOLOGY CHANGES THE LIFE



R6F-SN



R6F-BN



R6P-SN



R6P-BN

TTLOCK BLUETOOTH SOLUTION TUYA WIFI&BLE SOLUTION

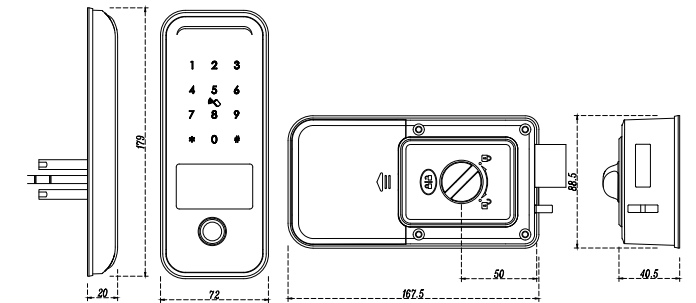


GET IT ON
Google Play

Download on the
App Store

Works with
Tuya Smart

Works with
TT-Lock



Product Specification

Model	R6
Color	Black/Silver
Support APP	TUYA/TTLOCK
Material	Aluminum alloy
Lock cylinder	Level-B cylinder (Level-C optional)
Technology	Wifi/BLE
Power	4 AA batteries
Type	Wood door, Steel door, Stainless Steel door....
Door thickness	15-45mm
Opening direction	Left/Right open
Size	Front:179*72*20mm Back:167.5*88.5*40.5mm
Unlock way	App,Password, Fingerprint, IC Card, Key



TTLOCK/TUYA APP



Unlocking Via Fingerprint



Time-limited Passcode



Mechanical Key



IC Card



Emergency Power Supply



Rim Lock Body



Automatic Locking

SMART RIM LOCK

IP65
waterproof

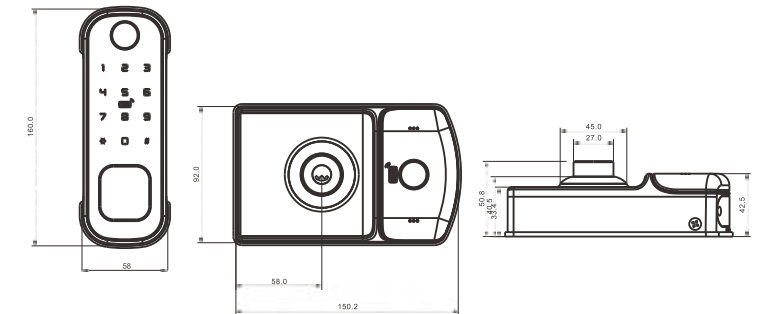
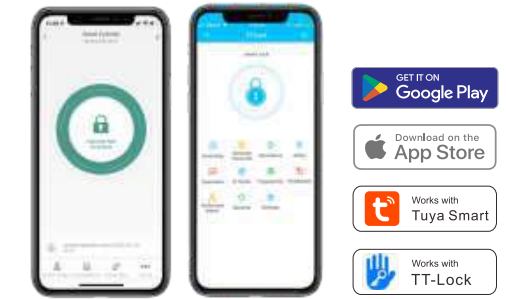


R9

TECHNOLOGY CHANGES THE LIFE



TTLOCK BLUETOOTH SOLUTION TUYA WIFI&BLE SOLUTION



Product Specification

Model	R9
Color	Black
Support APP	TUYA/TTLOCK
Material	Aluminum alloy
Lock cylinder	Level-B cylinder (Level-C optional)
Technology	Wifi/BLE
Power	4 AA batteries
Type	Wood door, Steel door, Stainless Steel door....
Door thickness	15-45mm
Opening direction	Left/Right open
Size	Front:160*58*22mm Back:150.2*92*42.5mm
Unlock way	App,Password, Fingerprint, IC Card, Key



TTLOCK/TUYA APP



Unlocking Via Fingerprint



Time-limited Passcode



Mechanical Key



IC Card



Emergency Power Supply



Rim Lock Body



Automatic Locking

DEADBOLT LOCK



A220

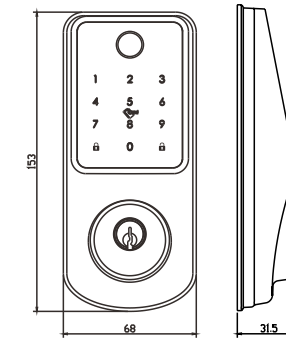
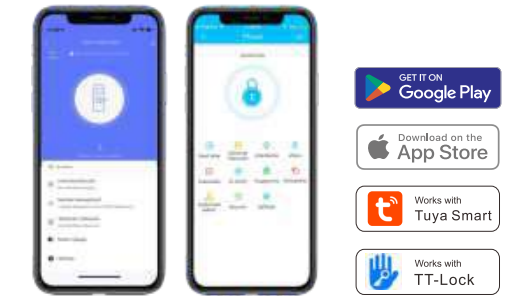
TECHNOLOGY CHANGES THE LIFE



Silver

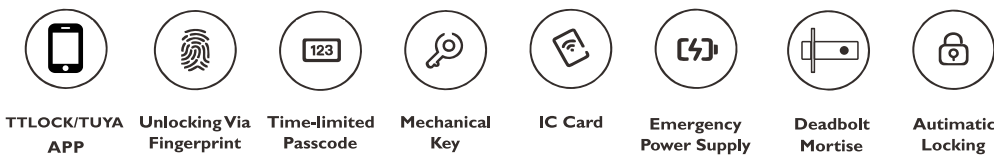
Black

TTLOCK BLUETOOTH SOLUTION TUYA WIFI&BLE SOLUTION



Product Specification

Model	A220
Color	Silver/Black
Support APP	TUYA/TTLOCK
Material	Aluminum alloy
Lock cylinder	Level-C optional
Technology	Wifi/BLE
Power	AA battery*4 pcs
Type	Wooden or Metal door
Door thickness	35-55mm
Opening direction	Left/Right open
Size	68*153*31.5mm
Mortise	60/70 adjustable deadbolt
Unlock way	App,Password, Fingerprint, IC Card,Key



DEADBOLT LOCK



A221

TECHNOLOGY CHANGES THE LIFE



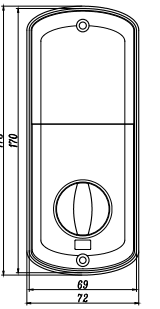
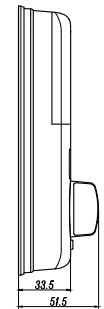
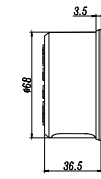
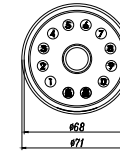
TTLOCK BLUETOOTH SOLUTION



GET IT ON
Google Play

Download on the
App Store

Works with
TT-Lock



Product Specification

Model	A221
Color	Black
Support APP	TTLOCK
Material	Aluminum alloy
Lock cylinder	Level-C optional
Technology	BLE
Power	AA battery*4 pcs
Type	Wooden or Metal door
Door thickness	35-55mm
Opening direction	Left/Right open
Size	Front:68*68*36.5mm Back:170*69*33.5mm
Mortise	60/70 adjustable deadbolt
Unlock way	App,Password, Fingerprint, IC Card,Key



TTLOCK
APP



Unlocking Via
Fingerprint



Time-limited
Passcode



Mechanical
Key



IC Card



Emergency
Power Supply



Deadbolt
Mortise



Automatic
Locking

DEADBOLT LOCK



A228

TECHNOLOGY CHANGES THE LIFE



Black



Silver

Product Specification

Model	A228
Color	Black/Silver
Support APP	TUYA/TTLOCK
Material	Aluminum alloy
Lock cylinder	Level-C optional
Technology	Wifi/BLE
Power	AA battery*4 pcs
Type	Wooden or Metal door
Door thickness	35-55mm
Opening direction	Left/Right open
Size	68*155*22mm
Mortise	60/70 adjustable deadbolt
Unlock way	App,Password, Fingerprint, IC Card,Key



TTLOCK/TUYA APP



Unlocking Via Fingerprint



Time-limited Passcode



Mechanical Key



IC Card



Emergency Power Supply

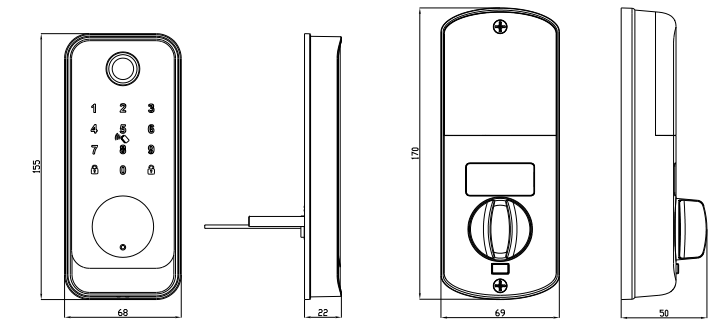


Deadbolt Mortise



Automatic Locking

TTLOCK BLUETOOTH SOLUTION TUYA WIFI&BLE SOLUTION



DEADBOLT LOCK







A229

TECHNOLOGY CHANGES THE LIFE

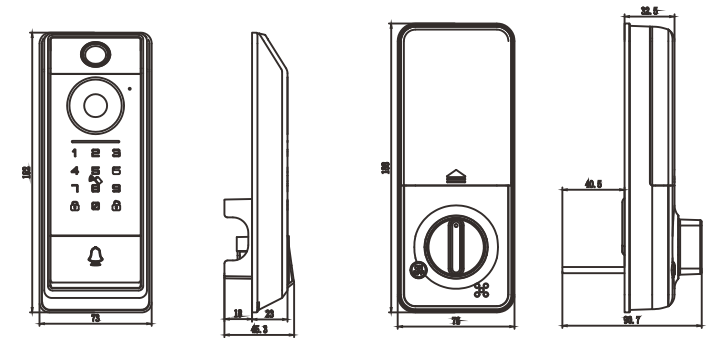


Product Specification

Model	A229
Color	Black
Support APP	TUYA/TTLOCK
Material	Aluminum alloy+ABS
Lock cylinder	Level-C optional
Technology	Wifi
Power	2500mAh Lithium battery
Type	Wooden or Metal door
Door thickness	35-55mm
Opening direction	Left/Right open
Size	73*182*22mm
Mortise	60/70 adjustable deadbolt
Unlock way	App,Password, Fingerprint, IC Card,Key

- 
TTLOCK/TUYA APP
- 
Digital Doorviewer
- 
Unlocking Via Fingerprint
- 
Time-limited Passcode
- 
Mechanical Key
- 
IC Card
- 
Emergency Power Supply
- 
Dormant Settings
- 
Deadbolt Mortise
- 
Automatic Locking

TTLOCK WIFI SOLUTION TUYA WIFI SOLUTION



INTELLIGENT FINGERPRINT LOCK



HD ELECTRONIC EYE

A230NF/A230NFC

TECHNOLOGY CHANGES THE LIFE



A230NF-BN

A230NFC-BN



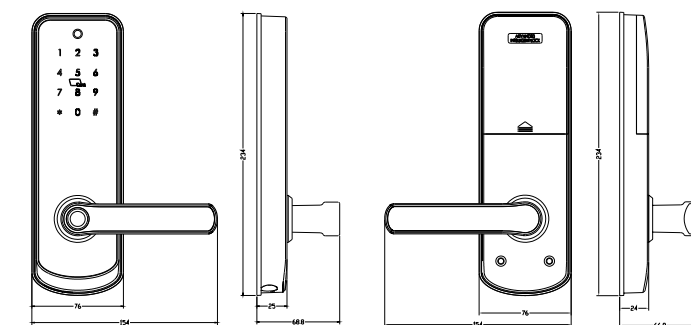
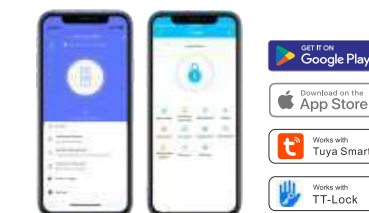
A230NF-SN

A230NFC-SN

TUYA WIFI SOLUTION



TT LOCK BLE SOLUTION TUYA WIFI&BLE SOLUTION



Product Specification

Model	A230NF/A230NFC
Color	Black/Silver
Support APP	TUYA/TTLOCK
Material	Aluminum alloy
Lock cylinder	Level-C optional
Technology	Wifi/BLE
Power	AA battery*4 pcs
Type	Wooden or Metal door
Door thickness	38-55mm
Opening direction	Left/Right open
Size	76*234*25mm
Mortise	5050/60/70 adjustable single latch etc
Unlock way	App,Password, Fingerprint, IC Card,Key



- TTLOCK/TUYA APP
- Digital Doorviewer
- Unlocking Via Fingerprint
- Time-limited Passcode
- Mechanical Key
- IC Card
- Emergency Power Supply
- EUROPE Mortise
- Automatic Locking
- Fire Certification

INTELLIGENT FINGERPRINT LOCK



A233F/A233FC

TECHNOLOGY CHANGES THE LIFE



A233F-BN



A233FC-BN



A233F-SN

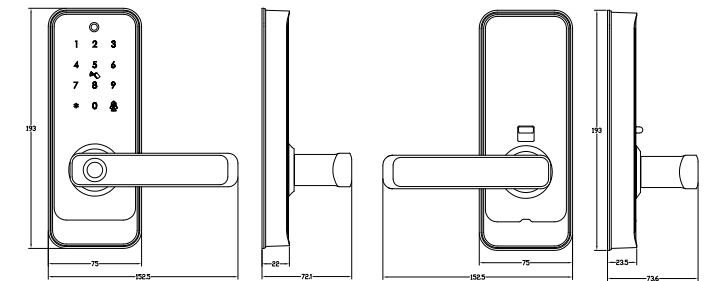


A233FC-SN

TUYA WIFI SOLUTION



TT LOCK BLE SOLUTION TUYA WIFI&BLE SOLUTION



Product Specification

Model	A223F/A223FC
Color	Black/Silver
Support APP	TUYA/TTLOCK
Material	Aluminum alloy
Lock cylinder	Level-C optional
Technology	Wifi/BLE
Power	AA battery*4 pcs
Type	Wooden or Metal door
Door thickness	38-55mm
Opening direction	Left/Right open
Size	75*193*22mm
Mortise	5050/60/70 adjustable single latch etc
Unlock way	App,Password, Fingerprint, IC Card,Key



- TTLOCK/TUYA APP
- Digital Doorviewer
- Unlocking Via Fingerprint
- Time-limited Passcode
- Mechanical Key
- IC Card
- Emergency Power Supply
- EUROPE Mortise
- Automatic Locking
- Fire Certification

INTELLIGENT FINGERPRINT LOCK



A240

TECHNOLOGY CHANGES THE LIFE

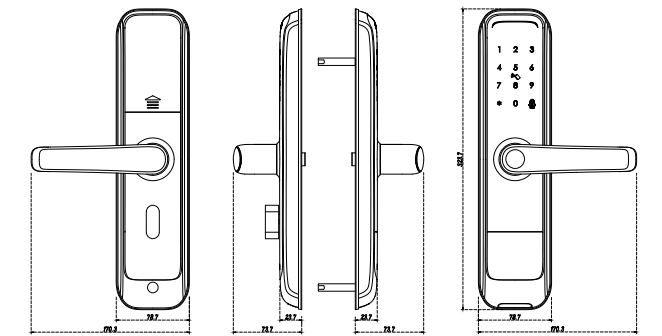
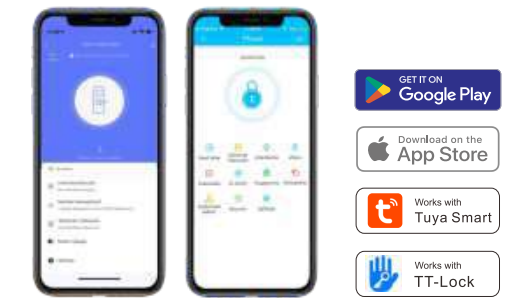


A240F-BN

A240F-GG

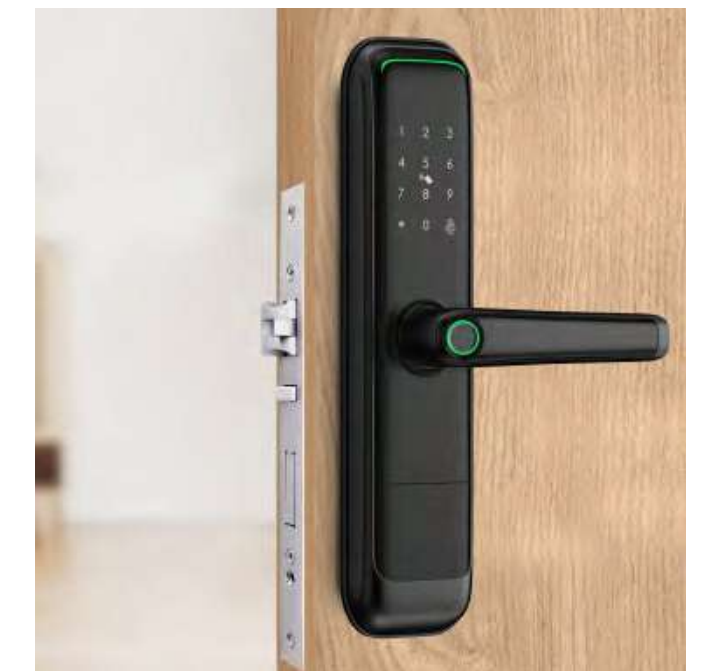
A240F-SN

TTLOCK BLUETOOTH SOLUTION TUYA WIFI&BLE SOLUTION



Product Specification

Model	A240
Color	Black/Silver/Golden
Support APP	TUYA/TTLOCK
Material	Aluminum alloy
Lock cylinder	Level-C optional
Technology	Wifi/BLE
Power	AA battery*4 pcs
Type	Wooden or Metal door
Door thickness	38-55mm
Opening direction	Left/Right open
Size	78.7*323.7*23.7mm
Mortise	5050/5072/5085/60/70 adjustable single latch etc
Unlock way	App,Password, Fingerprint, IC Card,Key



TTLOCK/TUYA APP



Unlocking Via Fingerprint



Time-limited Passcode



Mechanical Key



IC Card



Emergency Power Supply



EUROPE Mortise



Automatic Locking



Fire Certification

INTELLIGENT FINGERPRINT LOCK

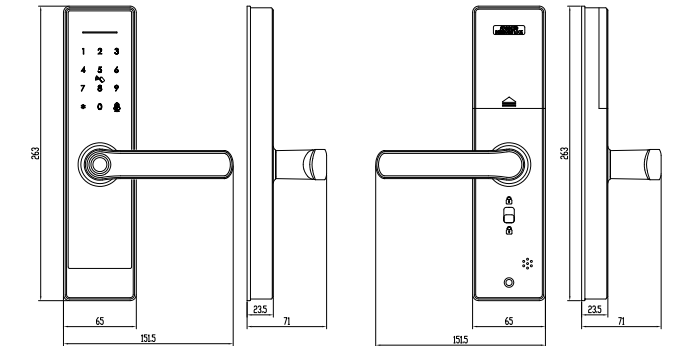
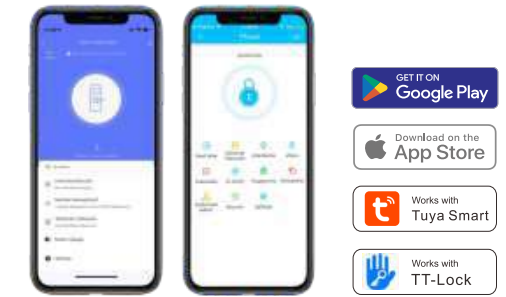


A261

TECHNOLOGY CHANGES THE LIFE



TTLOCK BLUETOOTH SOLUTION TUYA WIFI&BLE SOLUTION



Product Specification

Model	A261
Color	Black
Support APP	TUYA/TTLOCK
Material	Iron +Glass
Lock cylinder	Level-C optional
Technology	Wifi/BLE
Power	AA battery*4 pcs
Door types	Wooden or Metal door
Door thickness	35-55mm
Opening direction	Left/Right open
Size	65*263*23.5mm
Mortise	5050/5072/4585/5085/60/70 adjustable single latch etc
Unlock way	App,Password, Fingerprint, IC Card,Key



TTLOCK/TUYA APP



Unlocking Via Fingerprint



Time-limited Passcode



Mechanical Key



IC Card



Emergency Power Supply



EUROPE Mortise



Automatic Locking

INTELLIGENT FINGERPRINT LOCK

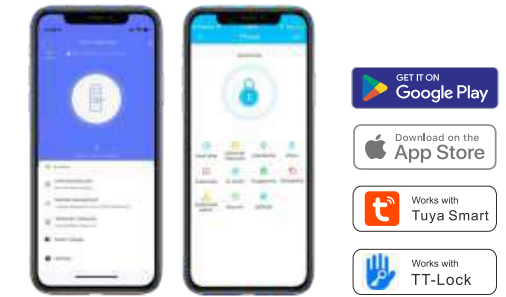


A262

TECHNOLOGY CHANGES THE LIFE



TTLOCK BLUETOOTH SOLUTION TUYA WIFI&BLE SOLUTION



Product Specification

Model	A262
Color	Black
Support APP	TUYA/TTLOCK
Material	Aluminum alloy+Iron
Lock cylinder	Level-C optional
Technology	Wifi/BLE
Power	AA battery*4 pcs
Door types	Wooden or Metal door
Door thickness	35-55mm
Opening direction	Left/Right open
Size	65*260*21mm
Mortise	5050/5072/4585/5085/60/70 adjustable single latch etc
Unlock way	App,Password, Fingerprint, IC Card,Key



TTLOCK/TUYA APP



Unlocking Via Fingerprint



Time-limited Passcode



Mechanical Key



IC Card



Emergency Power Supply



EUROPE Mortise



Automatic Locking

INTELLIGENT FINGERPRINT LOCK



A290

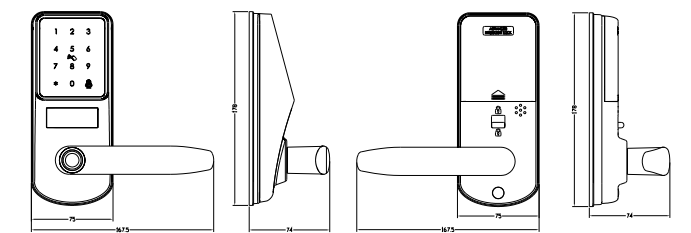
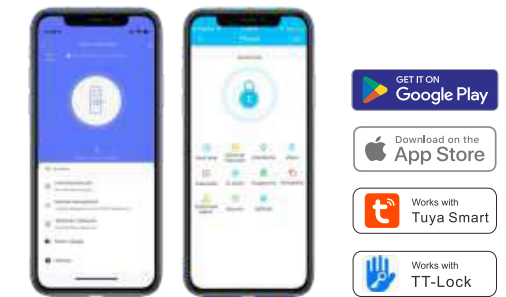
TECHNOLOGY CHANGES THE LIFE

TTLOCK BLUETOOTH SOLUTION TUYA WIFI&BLE SOLUTION



A290-BN

A290-SN



Product Specification

Model	A290
Color	Black/Silver
Support APP	TUYA/TTLOCK
Material	Aluminum alloy
Lock cylinder	Level-C optional
Technology	Wifi/BLE
Power	AA battery*4 pcs
Type	Wooden or Metal door
Door thickness	40-55mm
Opening direction	Left/Right open
Size	75*178*35mm
Mortise	60/70 adjustable single latch etc
Unlock way	App,Password, Fingerprint, IC Card,Key



TTLOCK/TUYA APP



Unlocking Via Fingerprint



Time-limited Passcode



Mechanical Key



IC Card



Emergency Power Supply



EUROPE Mortise



Automatic Locking

INTELLIGENT FINGERPRINT LOCK

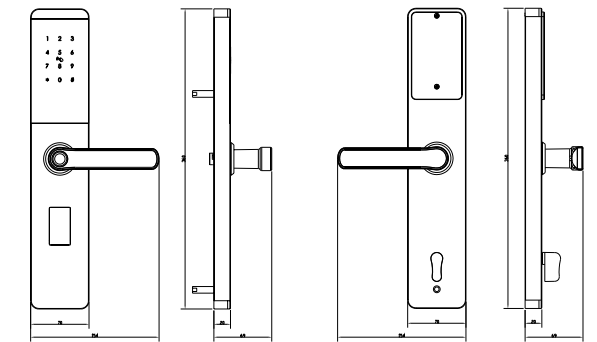
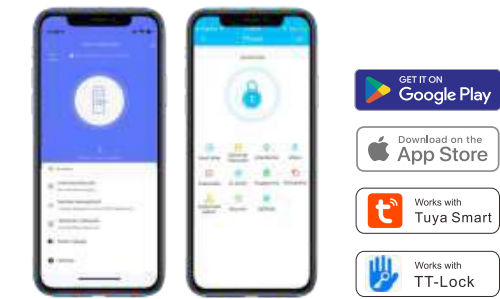


E902

TECHNOLOGY CHANGES THE LIFE

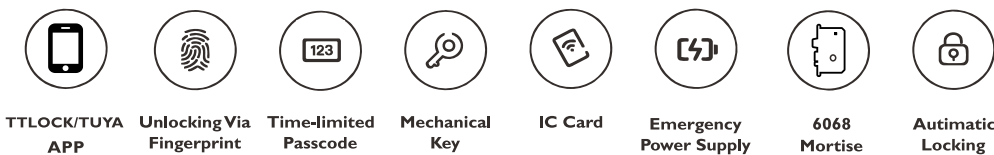


TTLOCK BLUETOOTH SOLUTION TUYA WIFI&BLE SOLUTION



Product Specification

Model	E902
Color	Black
Support APP	TUYA/TTLOCK
Material	Aluminum alloy
Lock cylinder	Level-C optional
Technology	Wifi/BLE
Power	AA battery*4 pcs
Type	Wooden or Metal door
Door thickness	35-55mm
Opening direction	Left/Right open
Size	70*360*20mm
Mortise	6068 series mortise
Unlock way	App,Password, Fingerprint, IC Card,Key



INTELLIGENT FINGERPRINT LOCK



E300F

TECHNOLOGY CHANGES THE LIFE

TTLOCK BLUETOOTH SOLUTION



E300F-SS



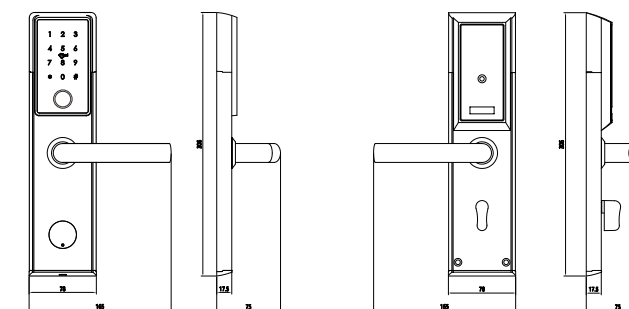
E300F-BN



GET IT ON
Google Play

Download on the
App Store

Works with
TT-Lock



Product Specification

Model	E300F
Color	Silver/Black
Support APP	TUYA Zigbee/TTLOCK
Material	Stainless Steel 304
Lock cylinder	Level-C optional
Technology	BLE
Power	AA battery*4 pcs
Type	Wooden or Metal door
Door thickness	30-50mm
Opening direction	Left/Right open
Size	78*306*17.5mm
Mortise	ANSI Mortise
Unlock way	App,Password, Fingerprint, IC Card,Key



TTLOCK/TUYA APP



Unlocking Via Fingerprint



Time-limited Passcode



Mechanical Key



IC Card



Emergency Power Supply



ANSI Mortise



Automatic Locking

SMART LEVER HANDLE LOCK



H168

TECHNOLOGY CHANGES THE LIFE



H168-BN



H168-SS

Product Specification

Model	H168
Color	Black/Silver
Support APP	TUYA/TTLOCK
Material	Aluminum Alloy+PC+Acrylic
Lock cylinder	Level-C optional
Technology	BLE
Power	AAA battery*4 pcs
Type	Wooden or Metal door
Door thickness	35-55mm
Opening direction	Left/Right open
Size	78*373*25mm
Mortise	5050/5072/4585/5085/60/70 adjustable single latch etc
Unlock way	App,Password, Fingerprint, IC Card,Key



TTLOCK/TUYA APP



Unlocking Via Fingerprint



Time-limited Passcode



Mechanical Key



IC Card



Emergency Power Supply



EUROPE Mortise



Automatic Locking

TTLOCK BLUETOOTH SOLUTION TUYA BLE SOLUTION

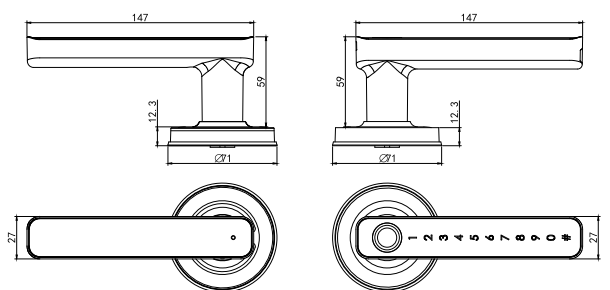


GET IT ON
Google Play

Download on the
App Store

Works with
Tuya Smart

Works with
TT-Lock

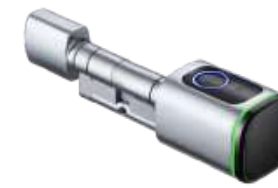


ELECTRONIC CYLINDER



S1

TECHNOLOGY CHANGES THE LIFE



S1-SN



S1-BN

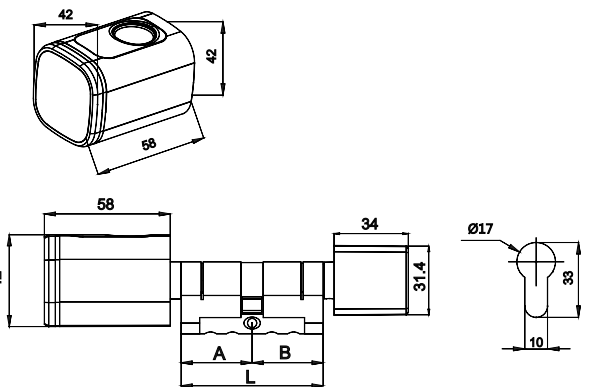


S9-BN
(AU Cylinder)



S6-BN
(Nordic Cylinder)

TTLOCK BLUETOOTH SOLUTION TUYA BLE SOLUTION



Product Specification

Model	S1
Color	Black/Silver
Support APP	TUYA/TTLOCK
Material	Aluminum alloy
Lock cylinder	Level-C optional
Technology	BLE
Power	CR123A(Lithium)*1 pcs
Type	Wooden or Metal door
Door thickness	40-110mm
Opening direction	Left/Right open
Size	42*42*58mm
Mortise	EURO profile lock mortise 5572/6085etc.
Unlock way	App,Fingerprint, IC Card,Key



TTLOCK/TUYA
APP



Unlocking Via
Fingerprint



Mechanical
Key



IC Card



Emergency
Power Supply



EUROPE
Mortise



Automatic
Locking

ELECTRONIC CYLINDER



S5

TECHNOLOGY CHANGES THE LIFE



S5-SN



S5-BN

TTLOCK BLUETOOTH SOLUTION TUYA BLE SOLUTION

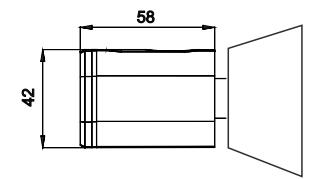
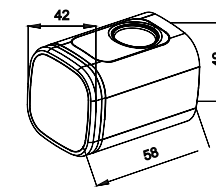


GET IT ON
Google Play

Download on the
App Store

Works with
Tuya Smart

Works with
TT-Lock



Product Specification

Model	S5
Color	Black/Silver
Support APP	TUYA/TTLOCK
Material	Aluminum alloy
Lockcylinder	Level-C optional
Technology	BLE
Power	CR123A(Lithium)*1 pcs
Type	Wooden or Metal door
Doorthickness	30-55mm
Openingdirection	Left/Right open
Size	42*42*87mm
Mortise	ANSI Profile lock mortise
Unlockway	App, Fingerprint, IC Card, Wristband or Key



TTLOCK/TUYA APP



Unlocking Via Fingerprint



Mechanical Key



IC Card



Emergency Power Supply



ANSI Mortise



Automatic Locking

ELECTRONIC CYLINDER



S1K

TECHNOLOGY CHANGES THE LIFE

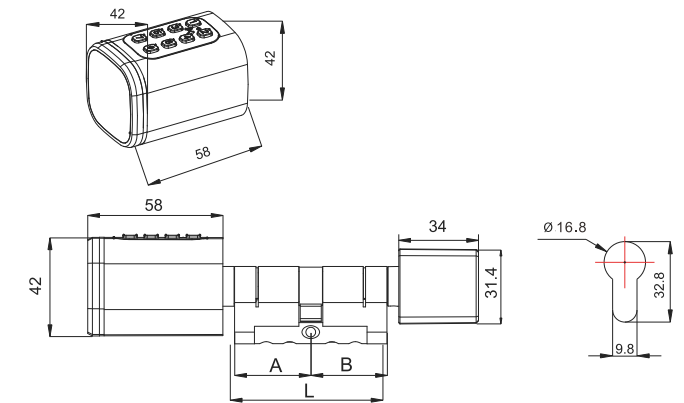


Silver



Black

TTLOCK BLUETOOTH SOLUTION TUYA BLE SOLUTION



Product Specification

Model	S1K
Color	Black/Silver
Support APP	TUYA/TTLOCK
Material	Aluminum alloy
Lock cylinder	Level-C optional
Technology	BLE
Power	CR123A(Lithium)*1 pcs
Type	Wooden or Metal door
Door thickness	40-110mm
Opening direction	Left/Right open
Size	42*42*58mm
Mortise	EURO profile lock mortise 5572/6085etc.
Unlock way	App, Password, IC Card, Key



TTLOCK/TUYA APP



Time-limited Passcode



Mechanical Key



IC Card



Emergency Power Supply



EUROPE Mortise



Automatic Locking

ELECTRONIC CYLINDER

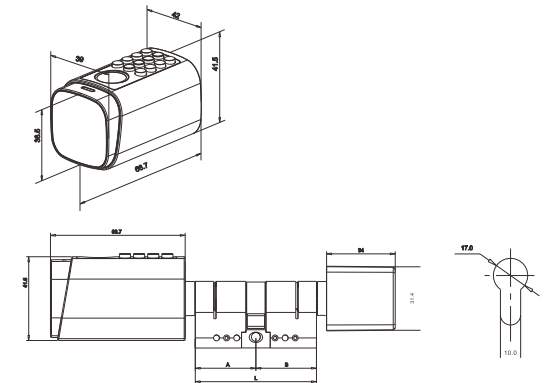
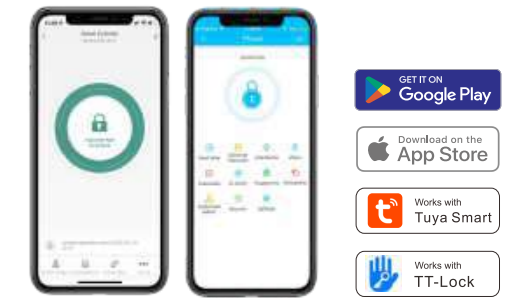


S7

TECHNOLOGY CHANGES THE LIFE

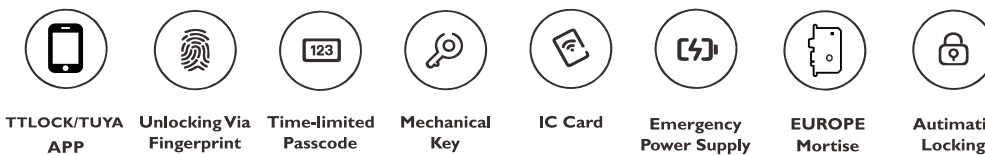


TTLOCK BLUETOOTH SOLUTION TUYA BLE SOLUTION



Product Specification

Model	S7
Color	Black
Support APP	TUYA/TTLOCK
Material	Aluminum alloy
Lock cylinder	Level-C optional
Technology	BLE
Power	AAA battery*4 pcs
Type	Wooden or Metal door
Door thickness	40-110mm
Opening direction	Left/Right open
Size	42*42*58mm
Mortise	EURO profile lock mortise 5572/6085etc.
Unlock way	App,Password, Fingerprint, IC Card,Key



ELECTRONIC CYLINDER



V1

TECHNOLOGY CHANGES THE LIFE

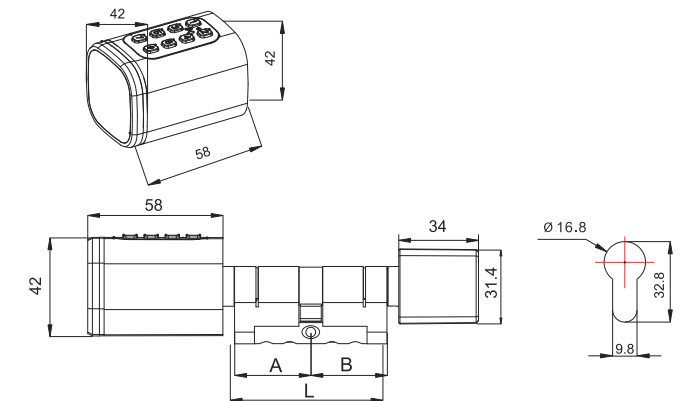


Silver



Black

TTLOCK BLUETOOTH SOLUTION TUYA BLE SOLUTION



Product Specification

Model	V1
Color	Silver/Black
Support APP	TUYA/TTLOCK
Material	Aluminum alloy
Lock cylinder	Level-C optional
Technology	BLE
Power	AAA Lr03 1.5V*3
Type	Wooden or Metal door
Door thickness	40-110mm
Opening direction	Left/Right open
Size	42*42*58mm
Mortise	EURO profile lock mortise 5572/6085etc.
Unlock way	App, Password, Fingerprint, IC Card, Key



Rotate 180 degrees to find password and card unlocking



TTLOCK/TUYA APP



Unlocking Via Fingerprint



Time-limited Passcode



Mechanical Key



IC Card



Emergency Power Supply



EUROPE Mortise



Automatic Locking

ELECTRONIC CYLINDER



V2

TECHNOLOGY CHANGES THE LIFE

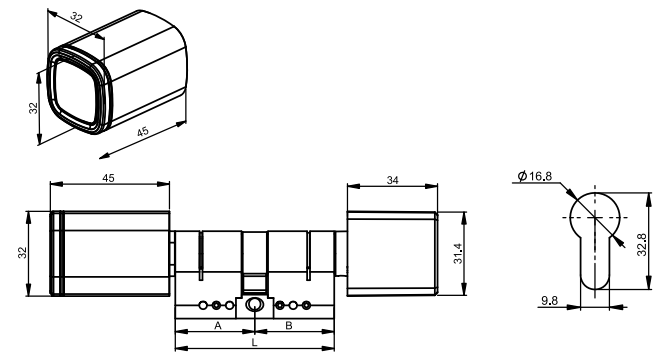
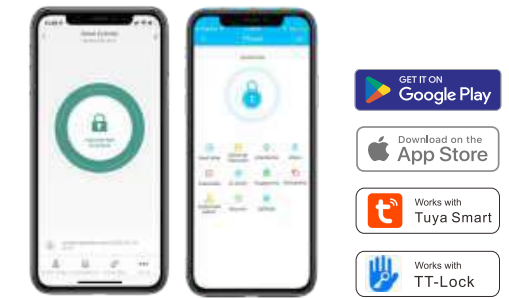


Silver



Black

TTLOCK BLUETOOTH SOLUTION TUYA BLE SOLUTION



Product Specification

Model	V2
Color	Silver/Black
Support APP	TUYA/TTLOCK
Material	304# Stainless steel
Lock cylinder	Level-C optional
Technology	BLE
Power	CR14250 3V*1
Type	Wooden or Metal door
Door thickness	40-110mm
Opening direction	Left/Right open
Size	42*42*58mm
Mortise	EURO profile lock mortise 5572/6085etc.
Unlock way	App,IC Card



TTLOCK/TUYA APP



IC Card



Emergency Power Supply



EUROPE Mortise



Automatic Locking

SMART FINGERPRINT GLASS LOCK



A9

TECHNOLOGY CHANGES THE LIFE

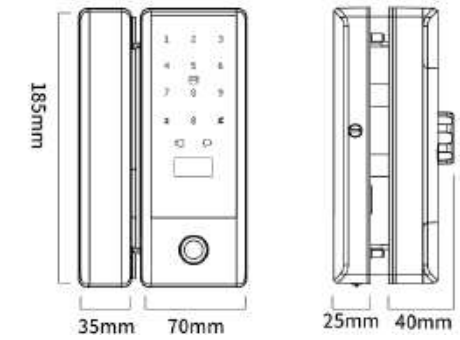
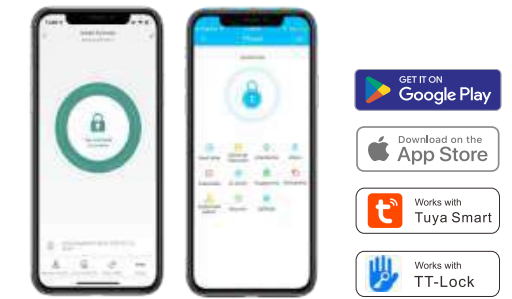


A9-BN

A9-SS

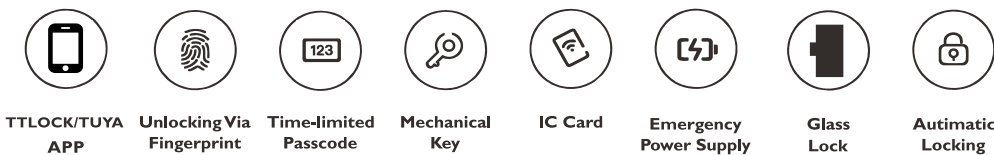
A9-GG

TTLOCK BLUETOOTH SOLUTION TUYA WIFI&BLE SOLUTION



Product Specification

Model	A9
Color	Black/Silver/Golden
Support APP	TUYA/TTLOCK
Material	Aluminum alloy
Lock cylinder	Level-C optional
Technology	Wifi/BLE
Power	4 pcs AA alkaline batteries
Type	Glass door
Door thickness	10~12mm(Glassdoor)
Opening direction	Left/Right open
Size	70*185*25mm
Unlock way	App,Password, Fingerprint, IC Card,Key



TTLOCK/TUYA APP Unlocking Via Fingerprint Time-limited Passcode Mechanical Key IC Card Emergency Power Supply Glass Lock Automatic Locking

SMART FINGERPRINT GLASS LOCK



G9

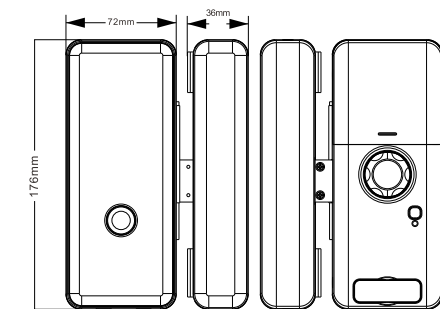
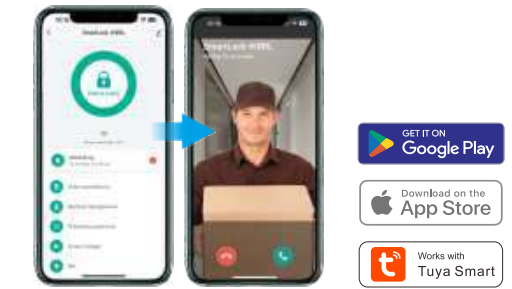
TECHNOLOGY CHANGES THE LIFE



G9FC-BN

G9F-BN

TUYA WIFI&BLE SOLUTION DOORBELL TRIGGERS VIDEO



Product Specification

Model	G9
Color	Black
Support APP	TUYA/TTLOCK
Material	Aluminum alloy
Cylinder	Level-B cylinder (Level-C optional)
Technology	Wifi/BLE
Power	4pcs 1.5V AA alkaline batteries
Type	Glass door
Door thickness	10~12mm(Glassdoor)
Opening direction	Left/Right open
Size	72*176mm
Unlock way	APP,Face Recognition,Password, Fingerprint, IC Card,Key



TUYA APP



Face Recognition



Digital Doorviewer



Unlocking Via Fingerprint



Time-limited Passcode



Mechanical Key



IC Card



Intercom call



Emergency Power Supply



Glass Lock



Automatic Locking

RETROFIT SMART LOCK



S8

TECHNOLOGY CHANGES THE LIFE



Product Specification

Model	S8
Color	Black
Support APP	TUYA/TTLOCK
Material	PC
Technology	BLE
Power	4pcs AAA batteries
Door Type:	Wood /Composit/ Security door
Size	157.4*63.6*53.5mm
Unlock way	App,Manual,Sensor



TTLOCK/TUYA
APP



Wireless
Keyboard



Manual
Unlock



Emergency
Power Supply



Automatic
Locking

TTLOCK BLUETOOTH SOLUTION TUYA BLE SOLUTION

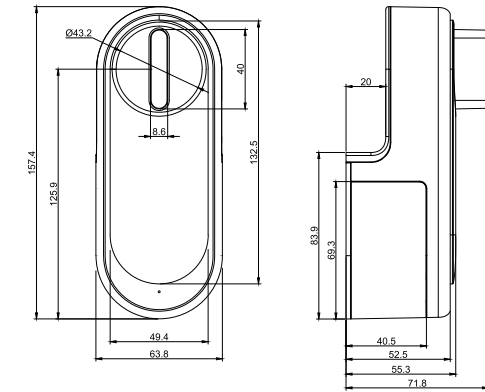


GET IT ON
Google Play

Download on the
App Store

Works with
Tuya Smart

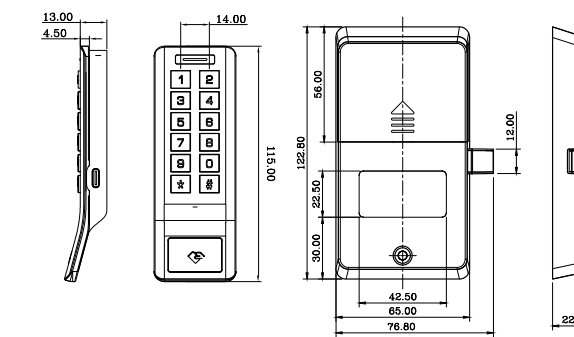
Works with
TT-Lock



DIGITAL CABINET LOCK

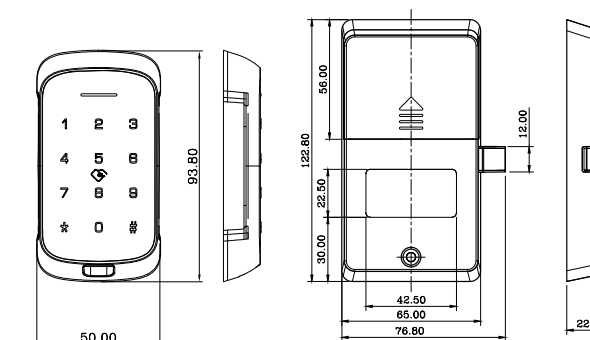


A810



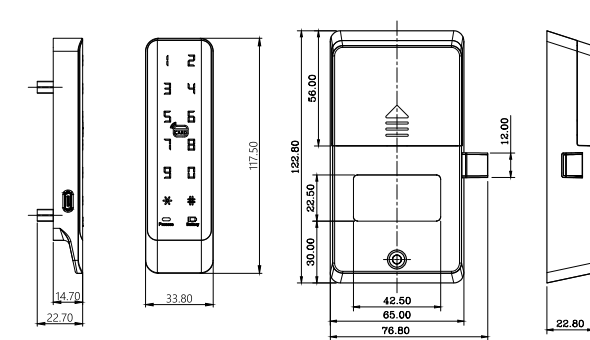
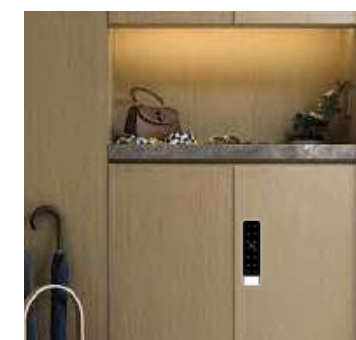
Model	A810	Material	Aluminum alloy	Lock Mode	Private mode
Color	Black/Silver	Power supply	3 * AA batteries	Size	Front:115*13*40mm Back:122.8*22.8*76.8mm
Technical program	Standalone	Application	Lockers,wardrobes.etc.	Unlock way	Password,IC Card

A820



Model	A820	Material	Aluminum alloy	Lock Mode	Private mode
Color	Black/Silver	Power supply	3 * AA batteries	Size	Front:93.8*13*50mm Back:122.8*22.8*76.8mm
Technical program	TTLOCK/TUYA/ Standalone	Application	Lockers,wardrobes.etc.	Unlock way	App>Password,IC Card

A850

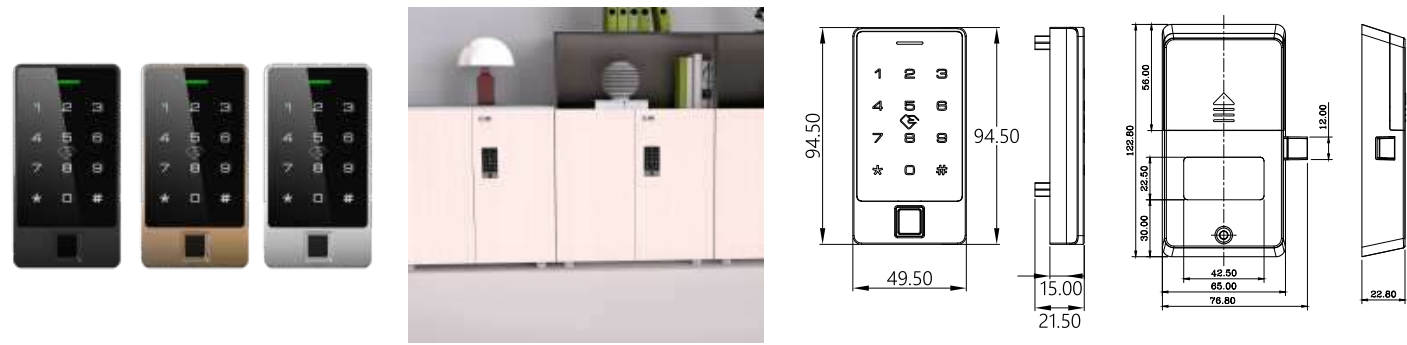


Model	A850	Material	Aluminum alloy	Lock Mode	Private mode
Color	Black/Silver	Power supply	3 * AA batteries	Size	Front:117.5*14.7*33.8mm Back:122.8*22.8*76.8mm
Technical program	TTLOCK/TUYA/ Standalone	Application	Lockers,wardrobes.etc.	Unlock way	App>Password,IC Card

DIGITAL CABINET LOCK



B10-CTFB



Model	B10-CTFB	Material	Aluminum alloy	Lock Mode	Private mode
Color	Black/Silver/Gold	Power supply	3 * AA batteries	Size	Front:94.5*49.5*15mm Back:122.8*76.8*22.8mm
Technical program	TTLOCK/TUYA/ Standalone	Application	Lockers,wardrobes.etc.	Unlock way	App,Password,IC Card

B20-CTFB



Model	B20-CTFB	Material	Aluminum alloy	Lock Mode	Private mode
Color	Black/Silver	Power supply	3 * AA batteries	Size	Front:94.5*49.5*15mm Back:122.8*76.8*22.8mm
Technical program	TTLOCK/TUYA/ Standalone	Application	Lockers,wardrobes.etc.	Unlock way	App,Password,IC Card

S102-F



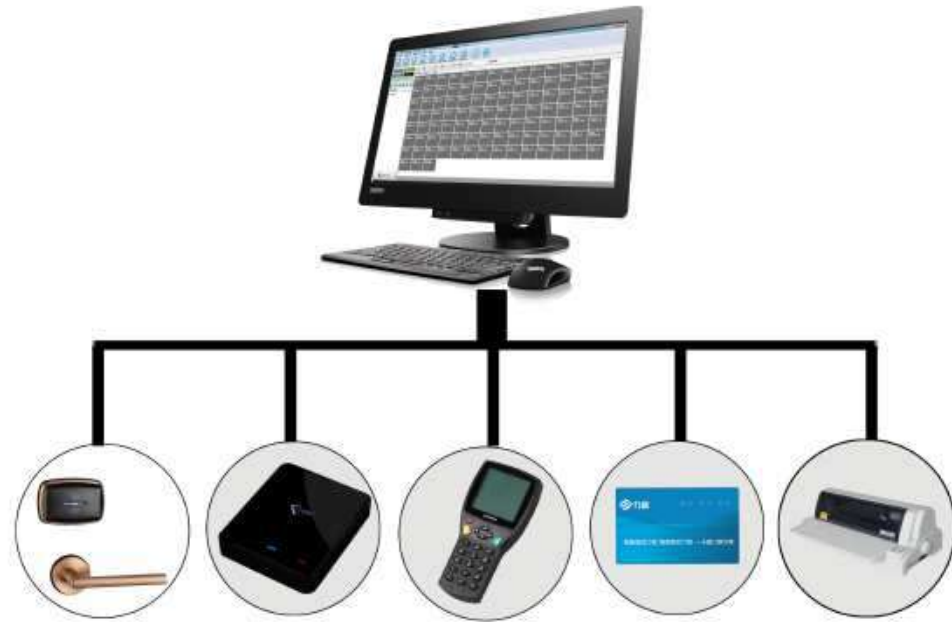
Model	S102-F	Material	Aluminum alloy	Lock Mode	Private mode
Color	Black	Power supply	3 * AA batteries	Size	Front:35*42*35mm Back:82.5*22.5*58mm
Technical program	TTLOCK/TUYA/ Standalone	Application	Lockers,wardrobes.etc.	Unlock way	APP,Fingerprint

G100



Model	G100	Material	Aluminum alloy	Lock Mode	Private mode
Color	Black/Grey/Silver	Power supply	3 * AA batteries	Size	Front:31*30.7*47mm Back:82.5*22.5*58mm
Technical program	TTLOCK/TUYA/ Standalone	Application	Lockers,wardrobes.etc.	Unlock way	APP,Fingerprint

OFFLINE HOTEL LOCK SYSTEM



- Computer: Memory:500GB above, hard disk suggested 2G above, USB port required.
- Software: Windows system, windows 7/8/10.
- Database: Windows Access / Microsoft SQL server 2008 above.
- Encoder: Read/write card and software registration.
- Door Lock: Installed on each room.
- LCD Handset: Configure room No.,adjust time, audit trial records etc.
- RF Card: Unlock the door lock.
- Printer: as request from the site.

LOCK SYSTEM ACCESSORIES

MCE02-17 CARD ENCODER

Technical Parameter

- Working voltage:DC5V
- Rated current:500mA
- Working humidity:RH 10%~90%
- working temperature:-20° C~55° C
- Reading speed:< 1 S
- Detect type: auto check

Specification

- Universal USB port, no need extra driver.
- Auto detect the card.
- Fast reading speed and stable to use
- Support one card system integration

PHD01-16 LCD HANDSET

Technical Parameter

- Working voltage: DC3V
- Static current: < 10 uA
- Working current: <100mA
- Storage humidity: RH 5%~95%
- Working temperature:-25 ~ 70°C
- Reading speed: < 1 S
- Size: 177.6 x 85 x 30mm

Specification

- One station solution, no need special room setting card
- Fast and correct time adjustment
- Special system checking for hardware and firmware
- Easy to check the card information
- Convenient to check audit trial records
- Support checkout function,

TTHOTEL ONLINE SYSTEM



Elevator Control

APP Unlock

Password Unlock

IC Card Unlock

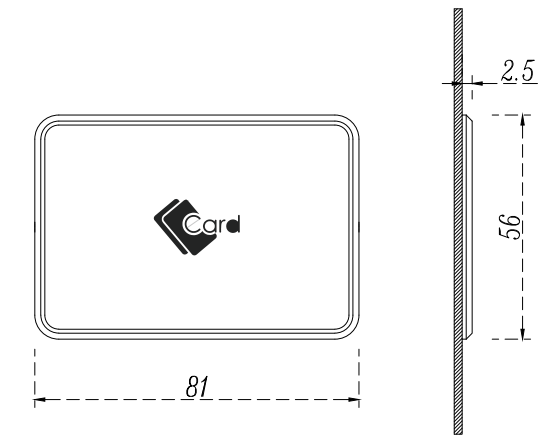
ELEVATOR CONTROL

- Long reading distance (0~30mm)
- Support hotel guest card, no need extra software
- Three mode: free mode, Floor mode and Floor+time mode.
- Direct function: touch card and reach to the floor directly .
- Support public floor and valid time setting.
- Support audit trial function: 2000 records maximum.
- Fully compatible with the hotel locking software..
- Aluminum alloy reader with rubber gasket



EC02-16F

TECHNOLOGY CHANGES THE LIFE



Product Specification

Model	EC02-16F
Color	Black
Card type	Mifare card
Material	Flame retardant PC
Working current	1000mA
Time delay	15 seconds
Operating temperature	-40C - + 50C
Reading distance	0~30mm
Power supply	12VDC
Size	56X81X2.5 mm

INTRODUCTION

- Long reading distance (0~30mm)
- Support hotel guest card, no need extra software
- Three mode: free mode, Floor mode and Floor+time mode.
- Direct function: touch card and reach to the floor directly .
- Support public floor and valid time setting.
- Support audit trial function: 2000 records maximum.
- Fully compatible with the hotel locking software..
- Aluminum alloy reader with rubber gasket

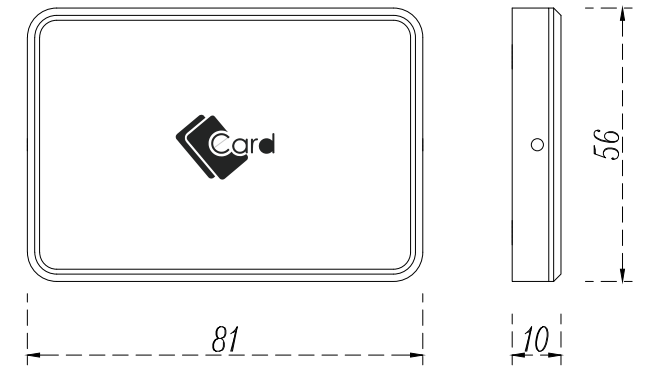
WALL READER

Support the hotel system card
 Reading distance: 0-3cm.
 No need extra software, easy to use.
 Available to control the electric drop bolt or
 electromagnetic lock or elevator floor button.
 Support wiegand 26 output signal.
 Aluminum alloy reader with rubber gasket to prevent the
 dust or water.



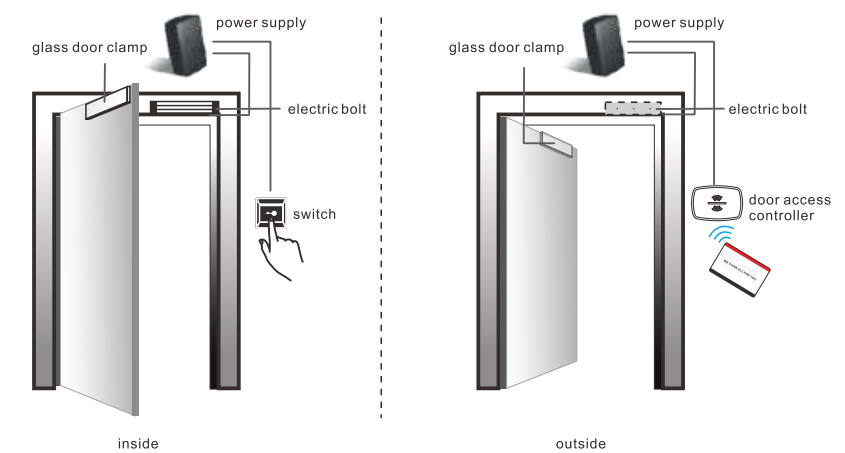
AC03-MF

TECHNOLOGY CHANGES THE LIFE



Product Specification

Model	AC03-MF
Color	Black
Card type	Mifare card
Material	Flame retardant PC
Working current	1000mA
Time delay	15 seconds
Operating temperature	-40C - + 50C
Reading distance	0~30mm
Power supply	12VDC
Size	56X81X10mm



QR ACCESS CONTROL

IP67
waterproof



WATERPROOF DESIGN

K3Q

TECHNOLOGY CHANGES THE LIFE

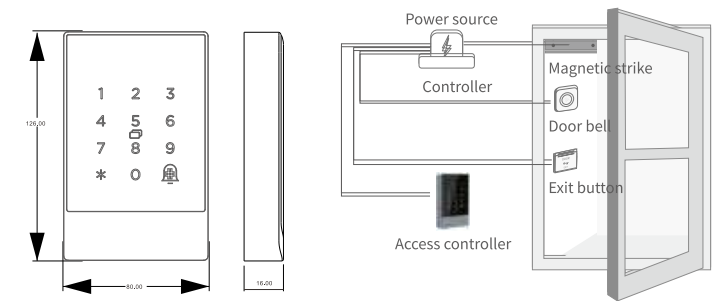
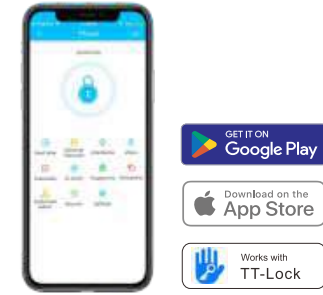


Product Specification

Model	K3Q
Color	Black
Support APP	TTLOCK
Material	ABS/Acrylia
Technology	Wifi/BLE
Power	DC 12-24V
Size	80*126*19mm
Unlock way	App, OR code, Card, Password

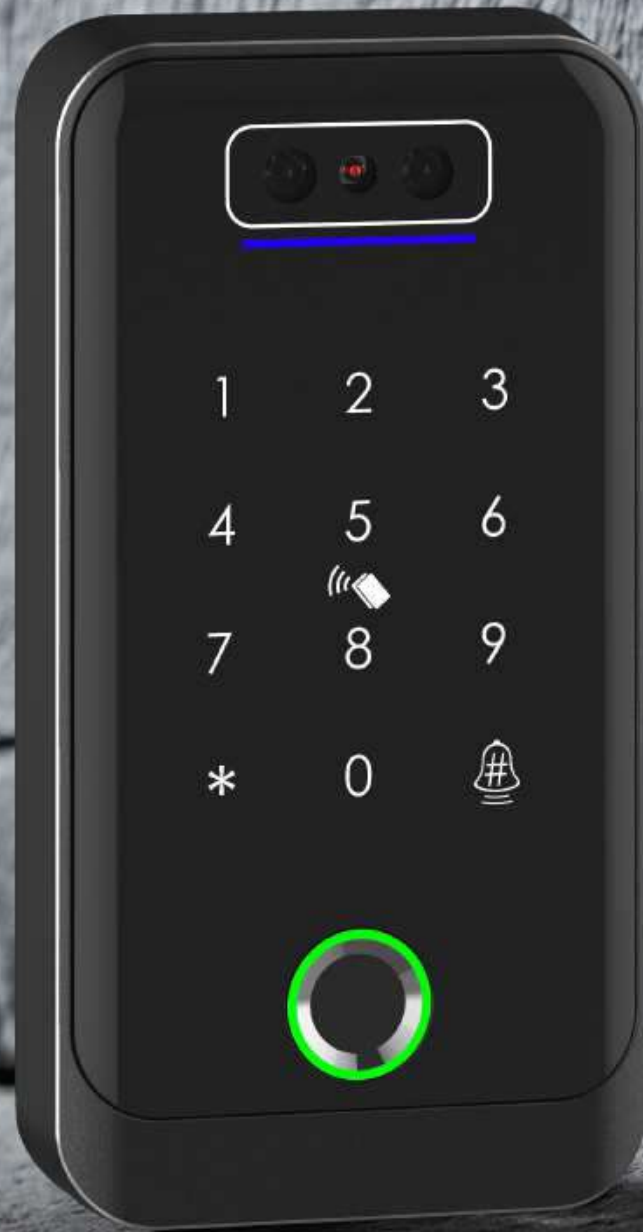
- TTLOCK APP**
- OR Code Unlocking**
- Time-limited Passcode**
- IC Card**
- Automatic Locking**

TTLOCK BLUETOOTH SOLUTION



ACCESS CONTROL

IP66
waterproof



3D FACE
RECOGNITION

WATERPROOF
DESIGN

ACO4

TECHNOLOGY CHANGES THE LIFE



AC04F-BN



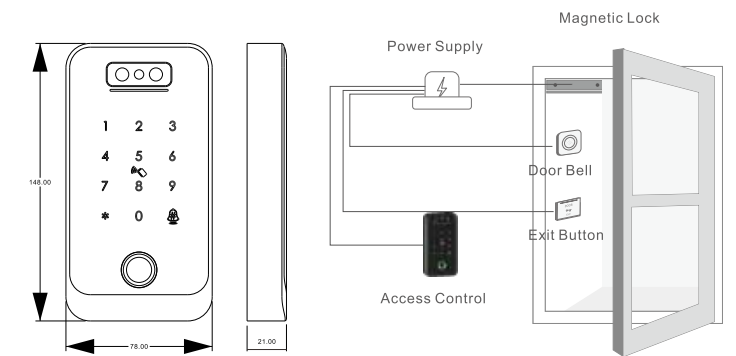
AC04P-BN

Product Specification

Model	AC04
Color	Black/Silver
Support APP	TUYA/TTLOCK
Material	Aluminum frame/ Tempered glass panel
Technology	Wifi/BLE
Power	DC 12V
Size	148*21*78mm
Unlock way	App, Face Recognition, Card, Password, Fingerprint,

- 
 TTLOCK/TUYA
APP
- 
 Face
Recognition
- 
 Unlocking Via
Fingerprint
- 
 Time-limited
Passcode
- 
 IC Card
- 
 Automatic
Locking

TTLOCK BLUETOOTH SOLUTION TUYA WIFI SOLUTION



SLIM ACCESS CONTROL



IP66 waterproof

3D FACE RECOGNITION

WATERPROOF DESIGN

AC05

TECHNOLOGY CHANGES THE LIFE



AC05

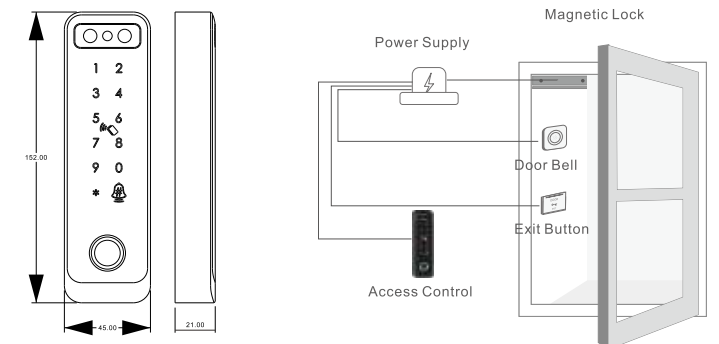


AC05W

Product Specification

Model	AC05
Color	Black/Silver
Support APP	TUYA/TTLOCK
Material	Aluminumframe/ Temperedglasspanel
Technology	Wifi/BLE
Power	DC 12V
Size	152*21*45mm
Unlock way	App, Face Recognition,Card, Password, Fingerprint,

TTLOCK BLUETOOTH SOLUTION TUYA WIFI SOLUTION



- 
 TTLOCK/TUYA APP
- 
 Face Recognition
- 
 Unlocking Via Fingerprint
- 
 Time-limited Passcode
- 
 IC Card
- 
 Automatic Locking

Contact Us



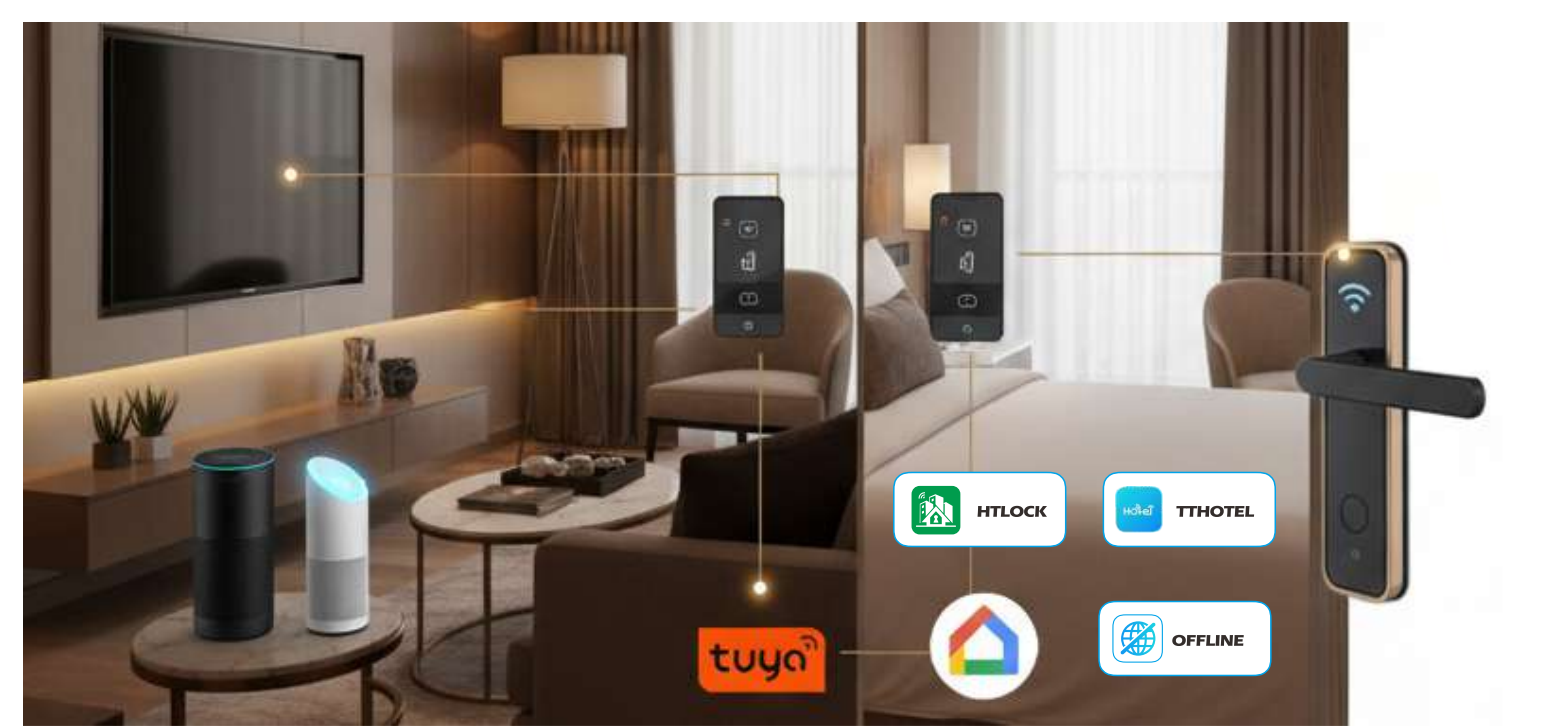
FOX DOMOTICS

Fox Domotics Pvt. Ltd.
 Manufacturer of Home,
 Hotel & Office Automation Systems

Demo Centre:
 Fox Domotics Private Limited Shop No 5,
 Khar West, Mumbai, Maharashtra, India

Manufacturing Unit:
 Fox Domotics Private Limited Gala No.115,
 Jinam Industrial Estate, Dhumal Nagar, Waliv,
 Vasai East, Dist. Palghar, Maharashtra, India

Email: sales@foxdomotics.com
 Contact No: +91 98195 03090
 Contact No: +91 8879216165
 Website: www.foxdomotics.com



SOME OF OUR VALUABLE CLIENTS

